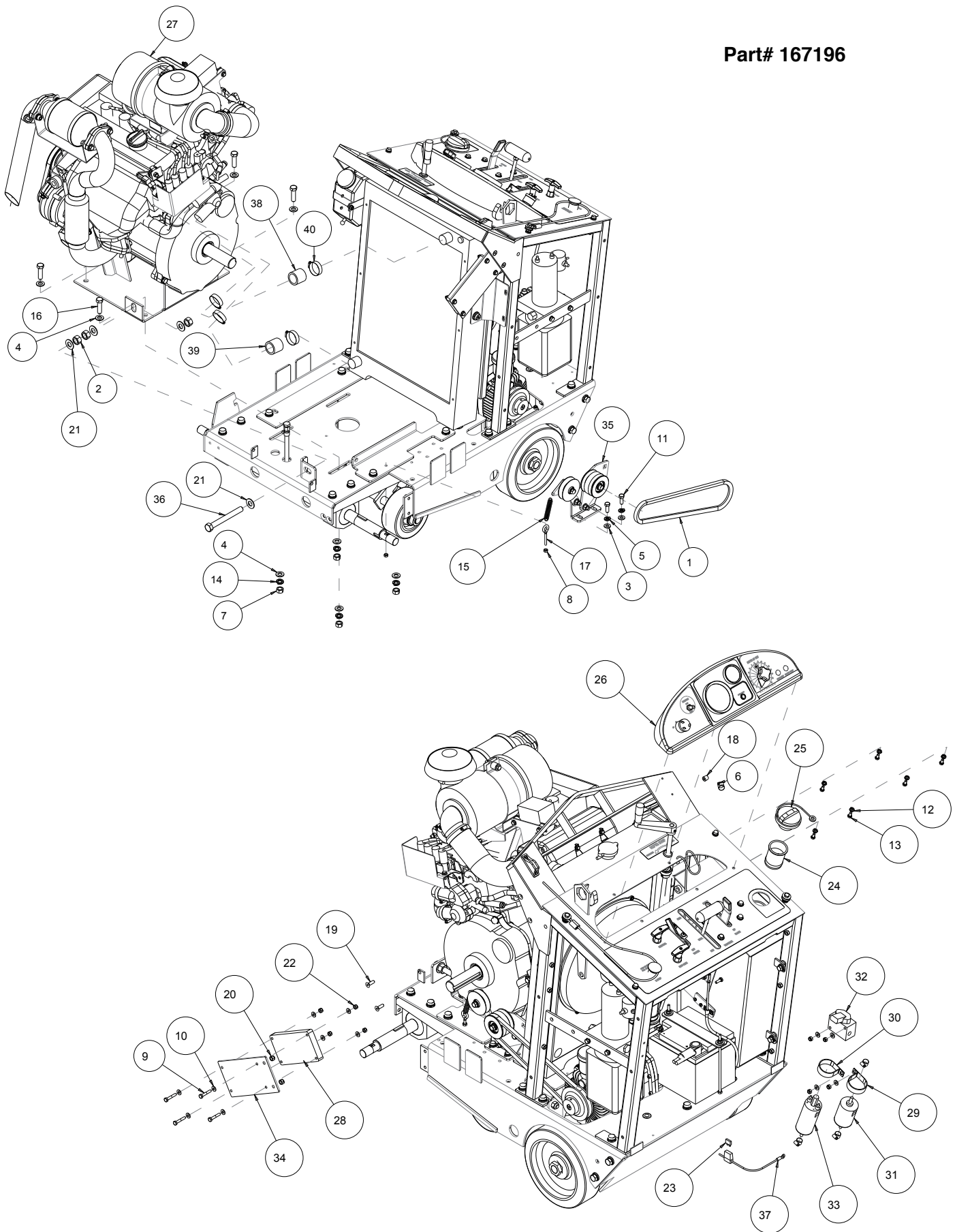


Part# 167196-36  
Model MK-4036HY

MK-4036HY Concrete Saw Part# 167196-36			
ITEM	DESCRIPTION	PART #	QTY
1	BELT, V, 3VX425	138172-7	7
2	NUT, 1-14 RIGHT HAD	138693	1
3	NUT, 1-14 LEFT HAND	138701	1
4	WASHER, 3/8 SAE FLAT	150923	4
5	WASHER, 3/8 SPLIT LOCK	150925	4
6	BELT, AX-24	153212	1
7	SCREW, HEX, 3/8-16 X 3/4	153527	4
8	SCREW, SET, SOC, CUPT , 3/8-16 X 1/2	153710	4
9	KEY, SQR, 3/8 X 4.0	154853	1
10	TAG, SERIAL #, BLANK	157500-RW	2
11	DRIVE SCREW, #7 X 5/16 ROUND HEAD	157849	4
12	LOG0, MK ADHESIVE	157914	2
13	BUSHING, TPR-LOCK, 1615 X 1-3/8	160811	1
14	SCREW, 3/8-16 X I FLATHEAD MACH I NE	162067	4
15	PULLEY, 7/3VX/3.2 X 1-7/16 BORE	165694-18	1
16	PULLEY, 7/3VX/4.12 X 1615TB	165695	1
17	PLATE, BELT PROTECTOR	165707	1
18	SHEET, LABEL, MK LOG0, 4000	165709	1
19	LABEL, MK LOG0	165709-01	2
20	LABEL, RIGHT TOWER	165709-02	1
21	LABEL, LEFT CONSOLE	165709-03	1
22	CORNER, FRAME	165871	1
23	ASSY, SHAFT GUARD	166056	1
24	MK-4000HY PARENT	167196	1
25	GUARD, ENGINE, RIGHT, 4000HY	167286	1
26	GUARD, ENGINE, LEFT, 4000HY	167287	1
27	ASSY, 36" BLADE GUARD WHITE	168279-36-WH	1
28	ASSY, FLANGE, KEYED, OUTER, 6"	168596-6	2
29	FLANGE, KEYED, INNER, 6"	168598-6	2
30	KEY, SQR, 3/8 X 3/4	169371	2

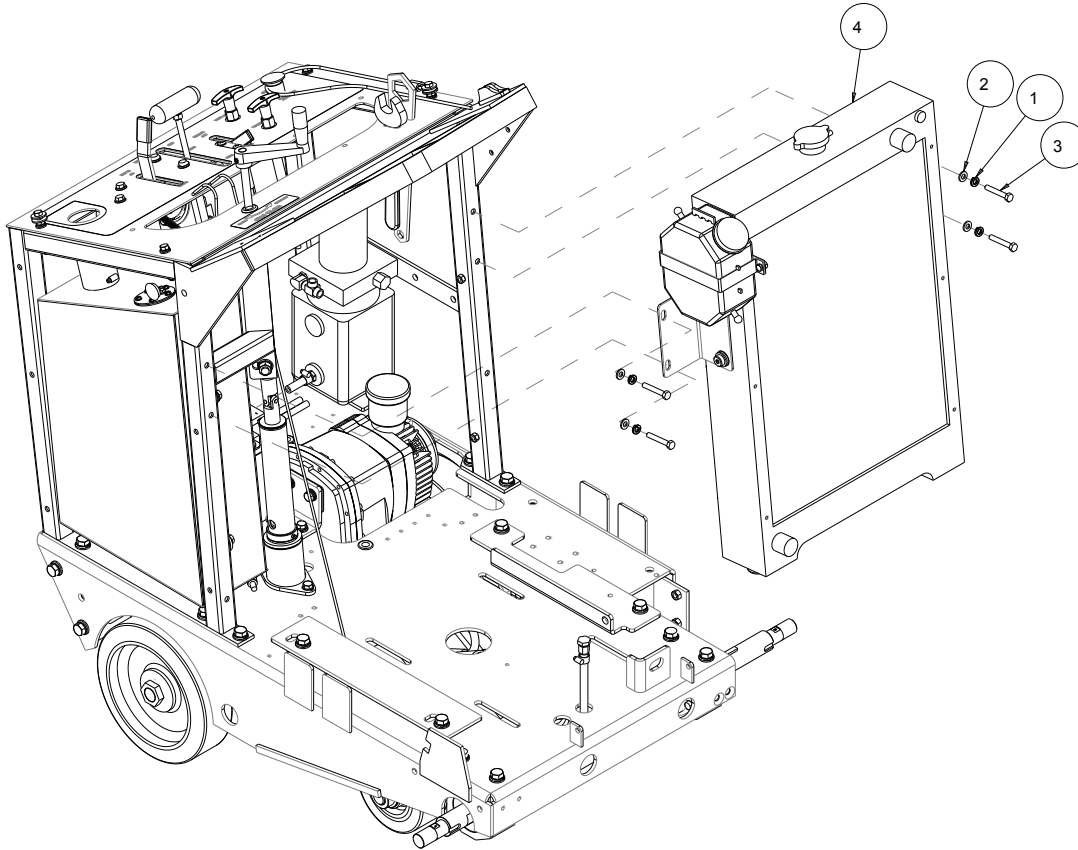
Part# 167196



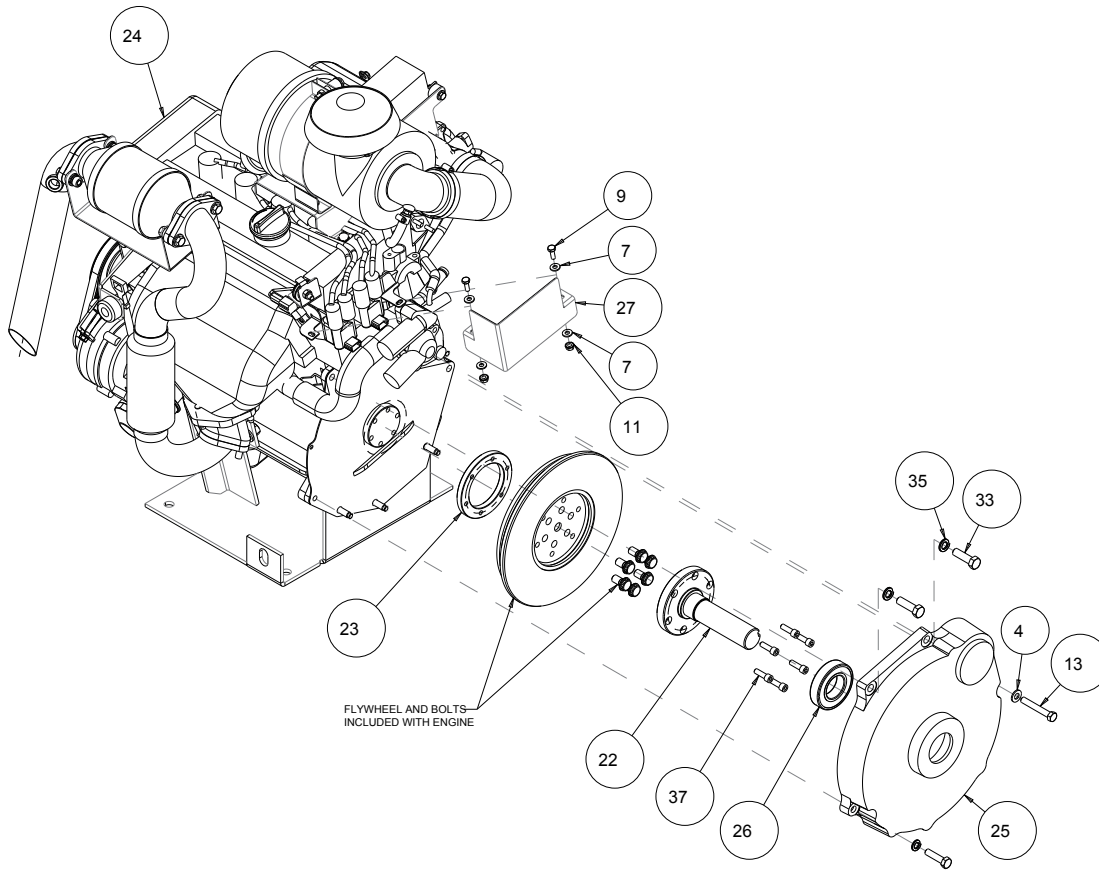
MK-4000HY Parent Part# 167196			
ITEM	DESCRIPTION	PART #	QTY
1	BELT, AX-38	133165	1
2	NUT, HEX, 5/8-18	135848	3
3	WASHER, 3/8 SAE FLAT	150923	8
4	WASHER, 1/2 SAE FLAT	150924	2
5	WASHER, 3/8 SPLIT LOCK	150925	2
6	CLAMP, 5/8 HOSE	151198	4
7	NUT, 1/2-13 HEX	151282	4
8	NUT, 1/4-20 HEX	151893	2
9	SCREW, HEX HEAD 1/4-20 X 1-1/2"	151914	4
10	WASHER, 1/4 SAE FLAT	151915	12
11	SCREW, HEX HD CAP, 3/8-16 X 1	152507	2
12	WASHER, 1/4 SPLIT LOCK	152591	6
13	SCREW, 1/4-20 X 1/2 HEX HEAD	152608	6
14	WASHER, 1/2 SPLIT LOCK	153524	4
15	SPRING, 9/16 X 2.5 EXTENSION	153807	1
16	SCREW, 1/2-13 X 1-3/4 HEX HEAD CAP	153853	4
17	EYEBOLT, 1/4-20 X 2	153887	1
18	PLUG, 1/4NPT HEX SOCKET	154679	1
19	SCREW, 5/16-18 X 1/0 FLAT HEAD SOCKET	155552	2
20	NUT, 5/16-18 NYLOK HEX	158289	2
21	WASHER, FLAT, 5/8 SAE	158350	4
22	NUT, 1/4-20 NYLOK	159857	8
23	FUSE, 30A ATC BLADE	164595	1
24	NECK, 2" FUEL FILLER	167219	1
25	CAP, 2" FUEL FILLER	167220	1
26	ASSY, INSTRUMENT PANEL, HY	167221	1
27	ASSY, ENGINE, HY	167244	1
28	GAUGE, TACH, 48HY (INCLUDED W/ENGINE)	167246	1
29	CLAMP, 2-1/8 CUSHION LOOP	167246	1
30	CLAMP, 2 CUSHION LOOP	167246	1
31	FILTER, FUEL, HY	167246	1
32	MANIFOLD, FUEL, HY	167246	1
33	PUMP, FUEL, HY	167246	1
34	PLATE, COMPUTER MOUNT	167269	1
35	ASSY, TRANS IDLER, HY	167275	1
36	SCREW, HEX, TAP, 5/8-11 X 5-1/2	167279	1
37	WIRE HARNES, 4000KB	167280	1
38	HOSE, RADIATOR, 1-1/4ID, UPPER	167281	1
39	HOSE, RADIATOR, 1-1/4ID, LOWER, HY	167282	1
40	CLAMP, 1-1/16 TO 2 HOSE	167617	4
41	ANTIFREEZE/COOLANT (1GAL)	167692	1



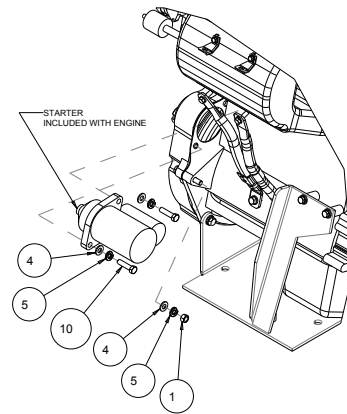
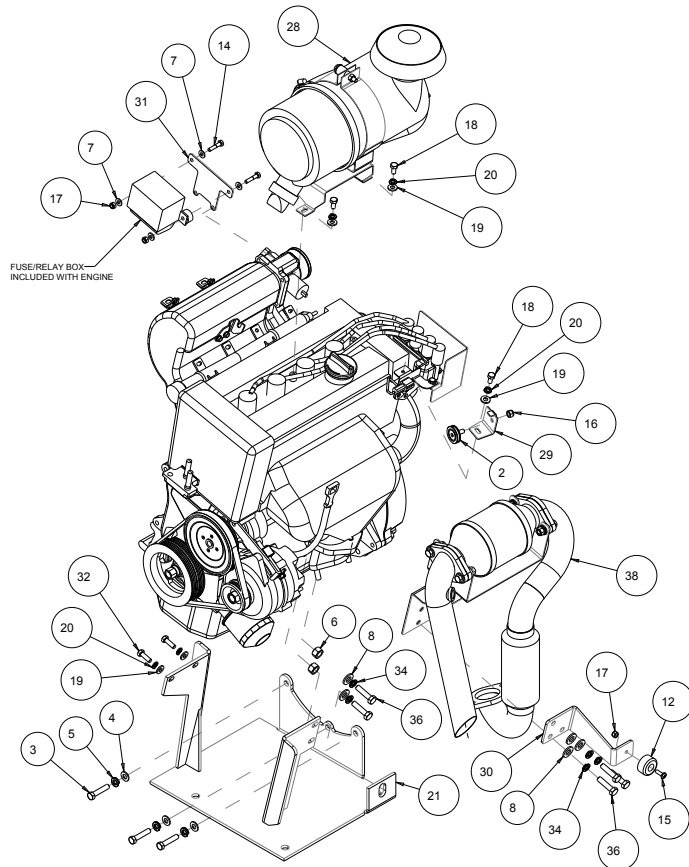
Part# 167196



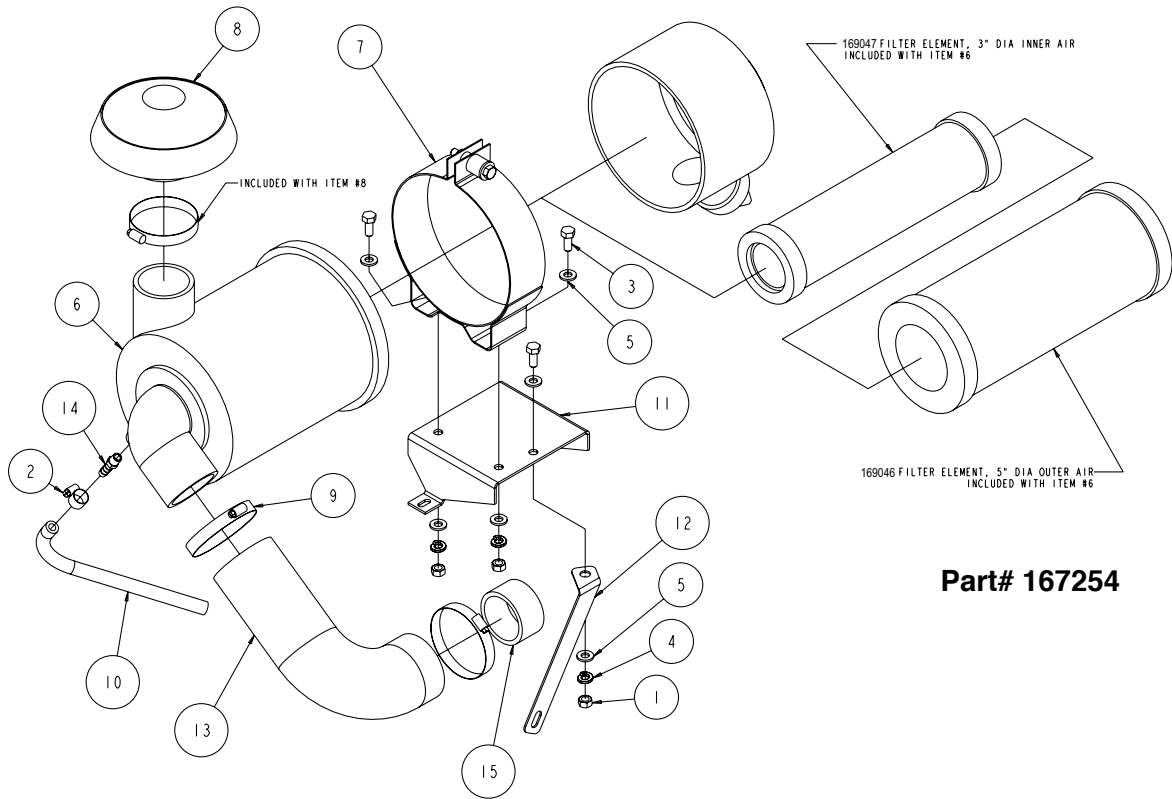
MK-4000HY Parent Part# 167196			
ITEM	DESCRIPTION	PART #	QTY
1	WASHER, LOCK, SPLIT, 5/16	151747	4
2	WASHER, FLAT, SAE, 5/16	020754	4
3	SCREW, 5/16 - 18 X 2 HEX HEAD	155494	4
4	ASSY, RADIATOR, HY	167946	1



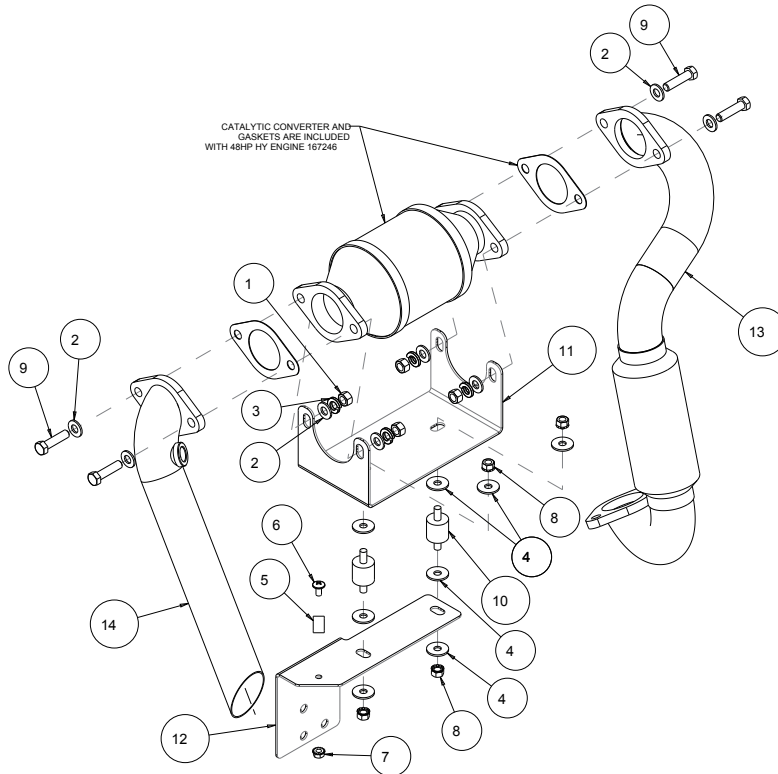
Part# 167244



MK-4000HY Assembly Engine Part# 167244			
ITEM	DESCRIPTION	PART #	QTY
1	NUT, 3/8-16 HEX	101188	1
2	WHEEL, CONVEYOR CART	133090	1
3	SCREW, 3/8-16 X 1-3/4 HEX HEAD CAP	150920	3
4	WASHER, 3/8 SAE FLAT	150923	7
5	WASHER, 3/8 SPLIT LOCK	150925	6
6	NUT, 1/2-13 HEX	151282	2
7	WASHER, 1/4 SAE FLAT	151915	8
8	WASHER, FLAT, N, M12	152267	5
9	SCREW, 1/4-20 X 3/4 HEX HEAD MACHINE	152370	2
10	SCREW, 3/8-16 X 1-1/2 OD X 1/4 ID X 3/4	153528	2
11	NUT, HEX W/WSHR, 1/4-20	153941	2
12	BUMPER, 1-1/2 OD X 1/4 ID X 3/4	154496	1
13	BOLT, 3/8-16 X 2-1/2 HEX HEAD TAP	155589	1
14	SCREW, HEX HD 1/4-20 X 1-1/4	157145	2
15	SCREW, 11/4-20 X 1/2 PAN HEAD PHILLIPS MACHINE	157523	1
16	NUT, 5/16-18 NYLOK HEX	158289	1
17	NUT, 1/4-20 NYLOK	159857	3
18	SCREW, HEX, M8-1.25 X 16MM	164223	3
19	WASHER, FLAT, N, M8	164855	5
20	WASHER, LOCK, SPLIT, M8	164860	5
21	MOUNT, ENGINE, HY	167245	1
22	SHAFT, PTO, HY	167247	1
23	RING, PTO BACKER, HY	167248	1
24	EDNGINE, HYUNDAI, 48HP, COMP	167249	1
25	CASTING, FLYWEHEEL. HY, COMP	167251	1
26	BEARING, 35 X 72 X 27, D-ROW BALL	167252	1
27	GUARD, DISTRIBUTOR, HY	167253	1
28	ASSY, 7" WISC AIR CLEANER	167254	1
29	BRACKET, POINTER LIFT, HY	167259	1
30	PLATE, POINTER STOP, HY	167260	1
31	BRACKET, FUSEBOX, 4000HY	167283	1
32	SCREW, HEX, M8-1.25 X 25MM	167512	2
33	SCREW, SOC HD, M10-1.25 X 30MM	167513	3
34	SCREW, HEX, M12-1.25 X 40MM	167514	2
35	WASHER, SPLIT LOCK, M10	167515	6
36	SCREW, HEX, M10-1.25 X 40MM	167613	3
37	SCREW, SOC, 5/16-24 X 1.0	167614	6
38	ASSY, EXHAUST, HY	168916	1



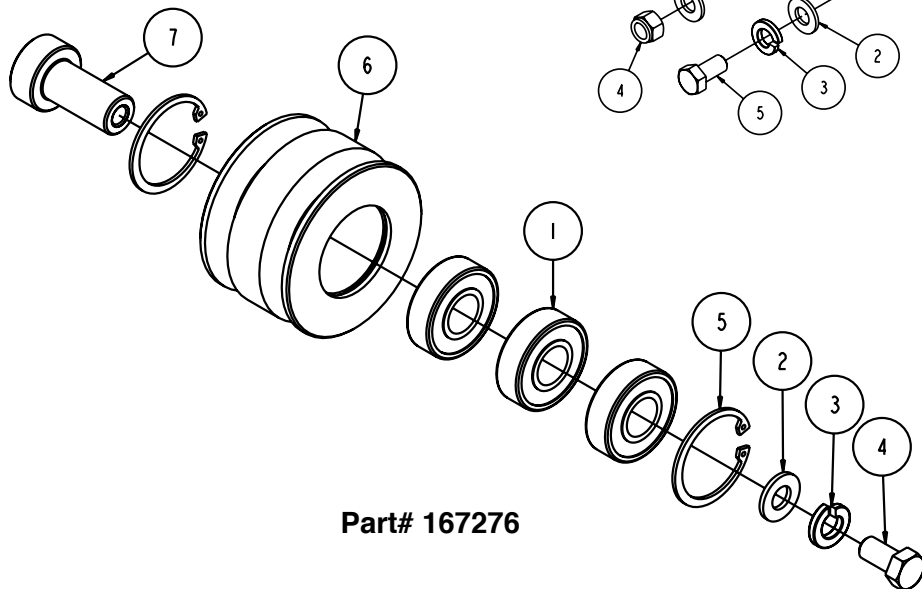
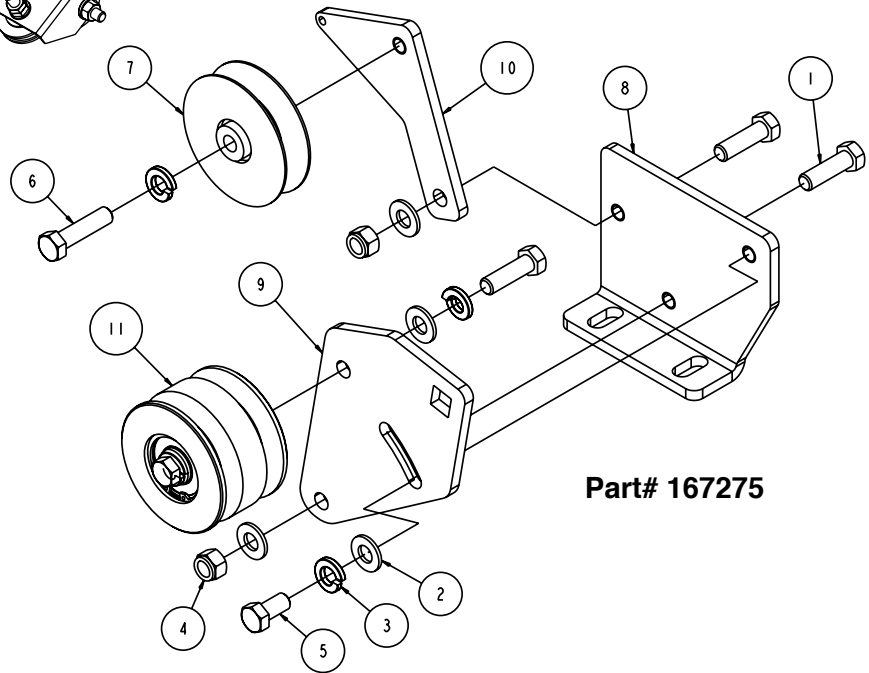
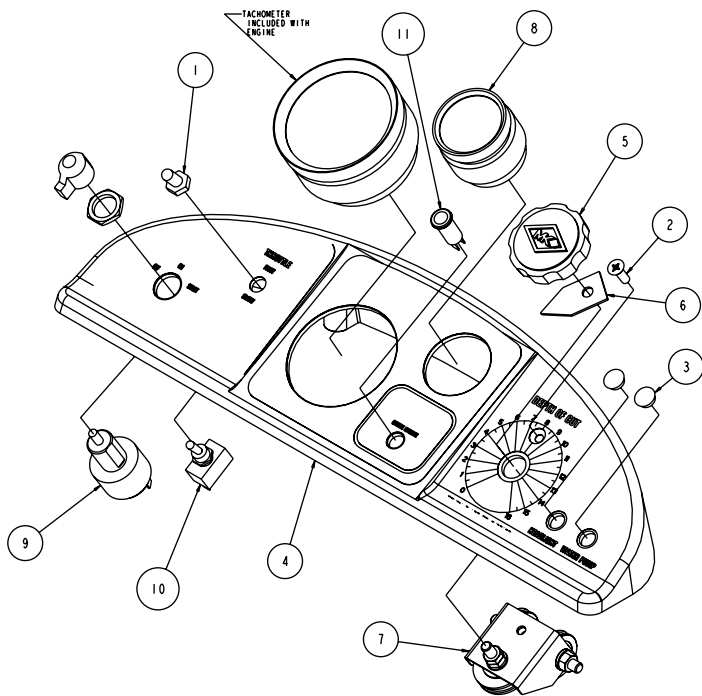
Part# 167254



Part# 168916

<b>MK-4000HY Assembly Air Cleaner 7" Part# 167254</b>			
<b>ITEM</b>	<b>DESCRIPTION</b>	<b>PART #</b>	<b>QTY</b>
1	NUT, HEX, 5/16-18	101196	3
2	CLAMP, 5/8 HOSE	151198	1
3	SCREW, 3/8-18 X 3/4 HEX HEAD MACHINE	151369	3
4	WASHER, LOCK, SPLIT, 5/16	151747	3
5	WASHER, 5/16 SAE FLAT	151754	6
6	AIR CLEANER, 7"	162607	1
7	BARCKET, 7" AIR CLEANER	162608	1
8	HOOD, 2.5" INLET	162609	1
9	CLAMP, 2-5/16 TO 3-1/4 HOSE	164242	2
10	HOSE, 5/16 FUEL, 18"	164958	1
11	MOUNT, AIR CLEANER, HY	167255	1
12	BRACE, AIR CLEANER, HY	167256	1
13	HOSE, 2-1/2ID X90DEG INTAKE, COMP	167258	1
14	FITTING, 1/8 MNPT X 5/16 BARB	167926	1
15	SPACER, 2.0 ID HOSE	167927	1

<b>MK-4000HY Assembly Exhaust Part# 168916</b>			
<b>ITEM</b>	<b>DESCRIPTION</b>	<b>PART #</b>	<b>QTY</b>
1	NUT, 3/8-16 HEX	101188	4
2	WASHER, 3/8 SAE FLAT	150923	8
3	WASHER 3/8 SPLIT LOCK	150925	4
4	WASHER FENDER 5/16 X 1.0	151053	8
5	CLAMP, 1/2 CUSHION LOOP	152471	1
6	SCREW, 1/4 - 20 X 1/2 TRUSS HEAD	153880	1
7	NUT, HEX, TW, 1/4 - 20	153941	1
8	NUT, HEX, TW, 5/16 - 18	153942	4
9	SCREW, HEX HEAD 3/8 - 16 X 1 - 1/2 LG.	156656	4
10	MOUNT, 1" SHOCK	167265	4
11	BRACKET, CAT SUPPORT	168917	1
12	BRACKET, CAT BASE	168918	1
13	PIPE, 2" EXHAUST, MAIN, HY	168919	1
14	PIPE, 2" EXHAUST, TAIL, HY	168920	1

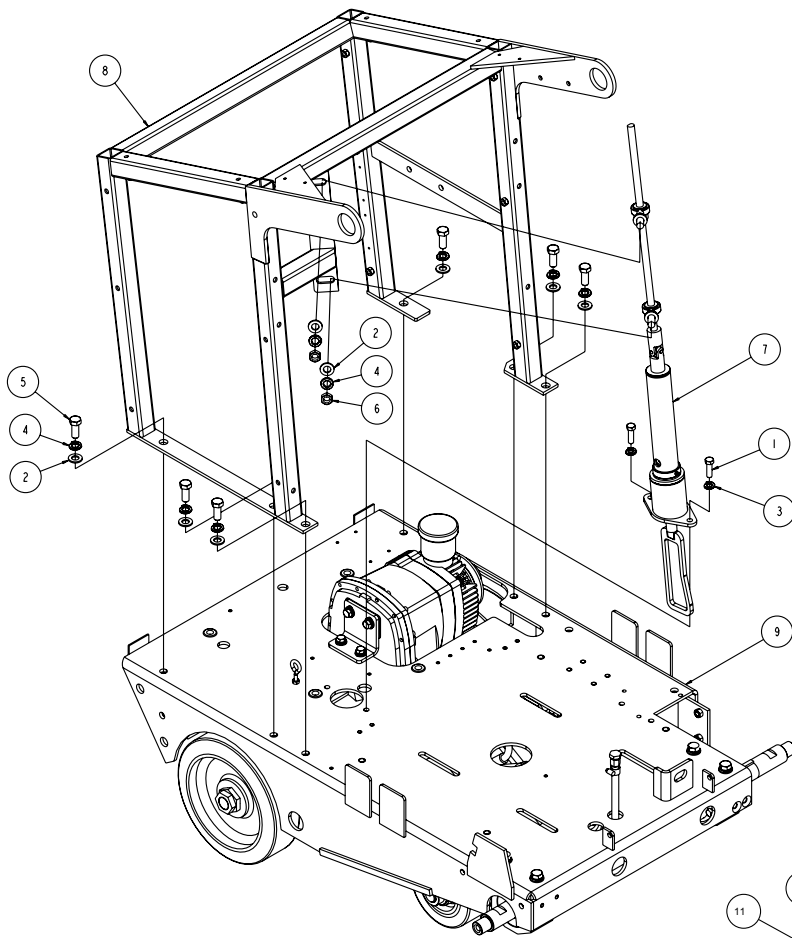


<b>MK-4000HY Assembly Instrument Panel Part# 167221</b>			
<b>ITEM</b>	<b>DESCRIPTION</b>	<b>PART #</b>	<b>QTY</b>
1	COVER, SWITCH	154301	1
2	SCREW, 1/4-20 X 3/4 FLAT HEAD PHILLIPS MACHINE	154657	1
3	PLUG, 1/2 FLUSH HEAD BUTTON	156779	2
4	PANEL, INSTRUMENT (COMP)	160909-HY	1
5	KNOB, DEPTH INDICATOR (COMP)	162629	1
6	POINTER, DEPTH INDICATOR	162630	1
7	ASSY, DEPTH INDICATOR	162881	1
8	GAUGE, FUEL, ANALOG	164151	1
9	SWITCH, KEYED, ON-OFF-START	167223	1
10	SWITCH, TOGGLE, (ON) OFF (ON)	167224	1
11	LIGHT, PANEL, 1/2" DIA. AMBER	167225	1

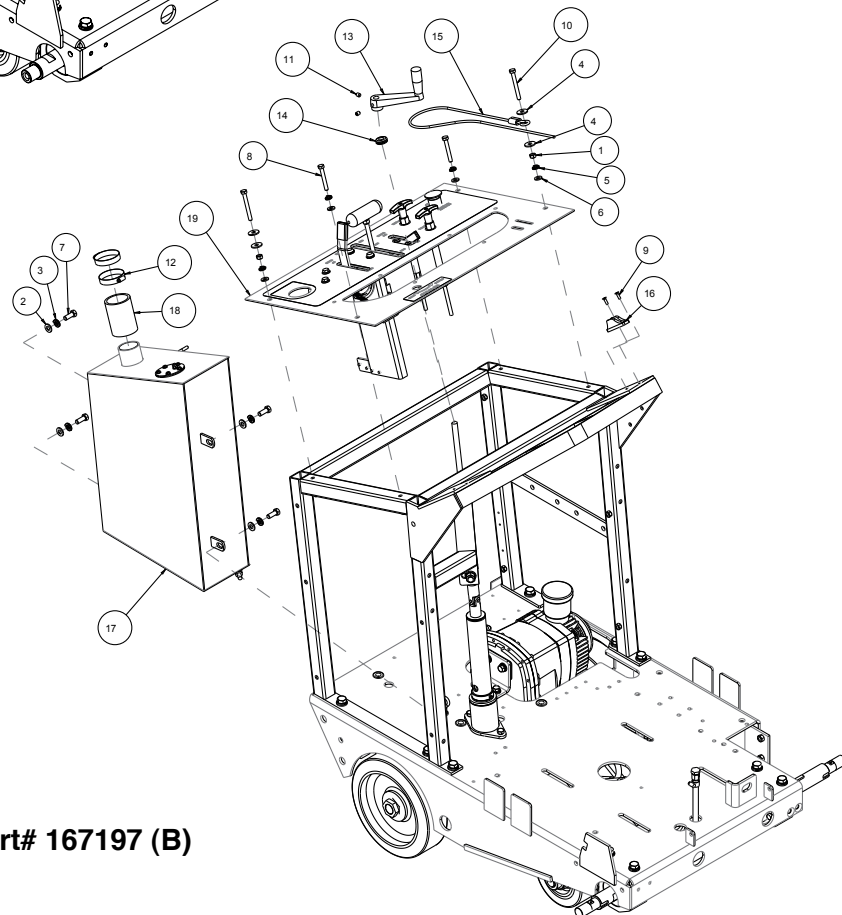
<b>MK-4000HY Assembly Trans. Idler Part# 167275</b>			
<b>ITEM</b>	<b>DESCRIPTION</b>	<b>PART #</b>	<b>QTY</b>
1	SCREW, 3/8-16 X 1-1/4 HEX HEAD CAP	150774	3
2	WASHER, 3/8 SAE FLAT	150923	4
3	WASHER, 3/8 SPLIT LOCK	150925	3
4	NUT, 3/8-16 NYLOK HEX	152505	2
5	SCREW, HEX, 3/8-16 X 3/4	153527	1
6	SCREW, 3/8-16 X 1-1/2 HEX HEAD	153528	1
7	PULLEY, IDLER, BV3001	153797	1
8	BRRACKET, IDLER TOWER	165699	1
9	ARM, TRANS BELT IDLER	165700	1
10	ARM, TRANS BELT IDLER	165701	1
11	ASSY, PULLEY, TRANS BELT, HY	167276	1

<b>MK-4000HY Pulley Trans. Belt Part# 167276</b>			
<b>ITEM</b>	<b>DESCRIPTION</b>	<b>PART #</b>	<b>QTY</b>
1	BERAING, BALL 17X40X12MM	137711	3
2	WASHER, 3/8 SAE FLAT	150923	1
3	WASHER, 3/8 SPLIT LOCK	150925	1
4	SCREW, HEX, 3/8-16 X 3/4	153527	1
5	RING, 1-9/16 INTERNAL RETAINING	160898	2
6	PULLEY, 2A/3.0 IDLER, HY	165697-HY	1
7	AXLE, 2A/3.0 IDLER PULLEY	165698	1





Part# 167197 (A)

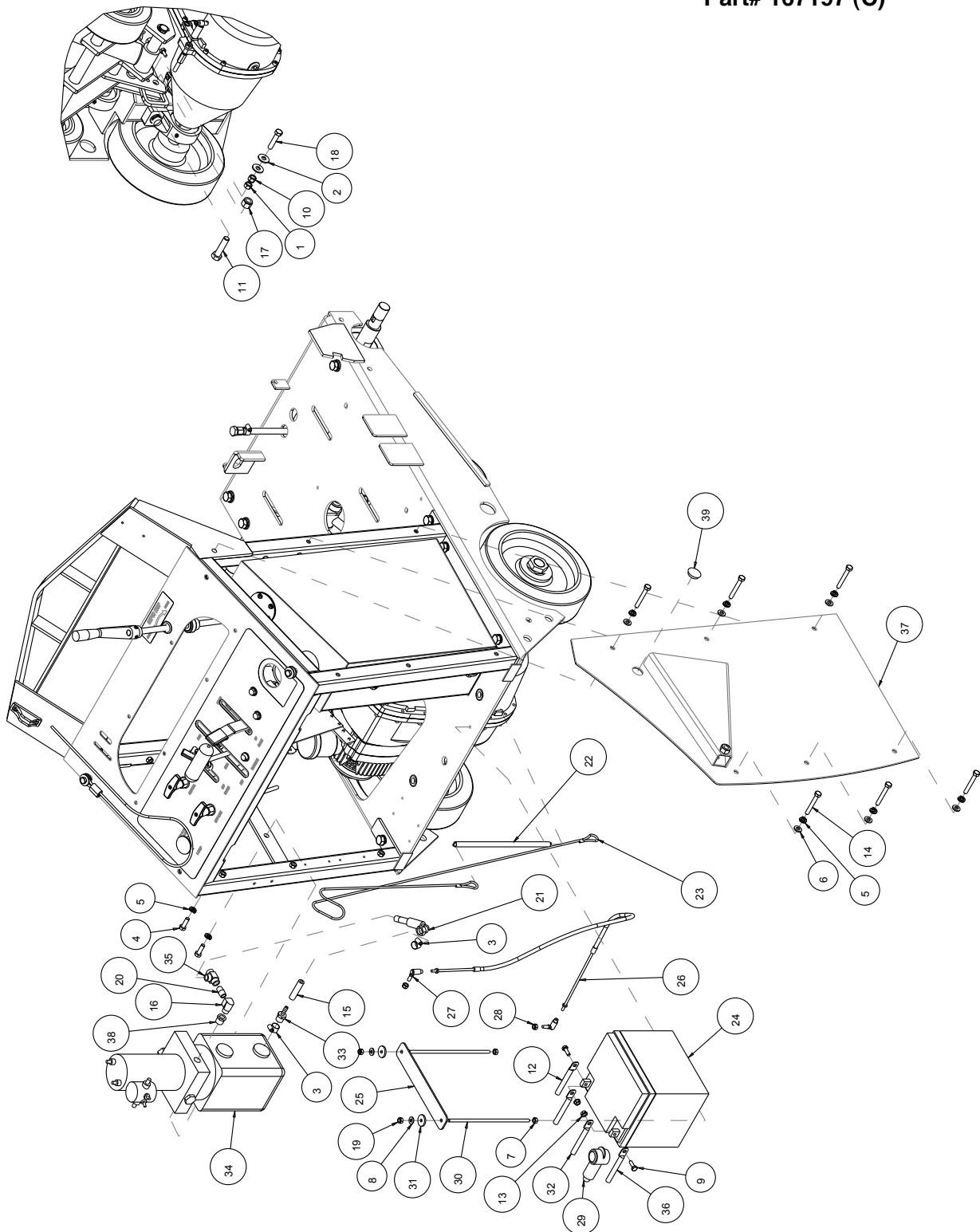


Part# 167197 (B)

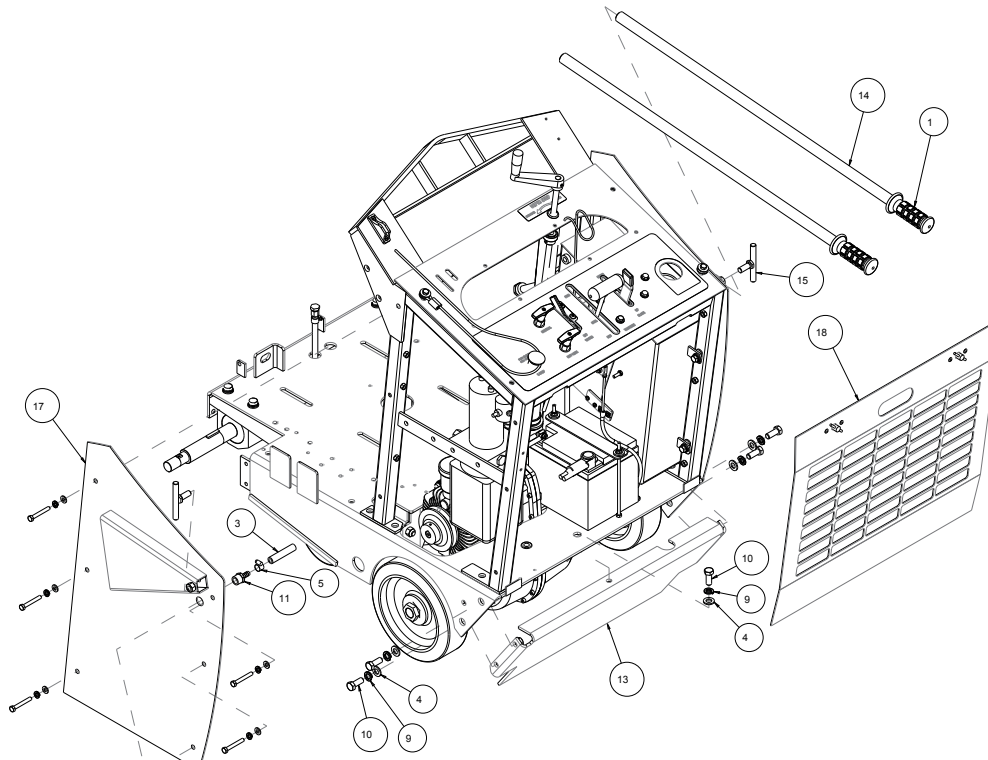
<b>MK-4000HY Assembly Sub A Part# 167197</b>			
<b>ITEM</b>	<b>DESCRIPTION</b>	<b>PART #</b>	<b>QTY</b>
1	SCREW, 3/8-16 X 1-1/4 HEX HEAD CAP	150774	2
2	WASHER, 1/2 SAE FLAT	150924	8
3	WASHER, 3/8 SPLIT LOCK	150925	2
4	WASHER, 1/2 SPLIT LOCK	153524	8
5	SCREW, 1/2-13 X 1-1/4 HEX HEAD CAP	153532	6
6	NUT, 1/2-20 HEX	162586	2
7	ASSY, DEPTH STOP	165710	1
8	TOWER WELDMENT, RADIATOR	167199	1
9	ASSY, FRAME SUB, 4000HY/KB	167294	1

<b>MK-4000HY Assembly Sub B Part# 167197</b>			
<b>ITEM</b>	<b>DESCRIPTION</b>	<b>PART #</b>	<b>QTY</b>
1	NUT, HEX, 5/16-18	101196	2
2	WASHER, 3/8 SAE FLAT	150923	4
3	WASHER, 3/8 SPLIT LOCK	150925	4
4	WASHER FENDER 5/16 X 1.0	151053	4
5	WASHER, LOCK, SPLIT, 5/16	151747	8
6	WASHER, 5/16 SAE FLAT	151754	8
7	SCREW, HEX HDCAP, 3/8-16 X 1	152507	4
8	SCREW, HEX, 5/16-18 X 2-1/4	153951	2
9	SCREW, FLAT HD 10-24 X 5/8	154295	2
10	BOLT, 5/16-18 X 2-3/4 HEX HEAD TAP	156974	2
11	SCREW, 5/16-18 X 3/8 SOCKET HEAD SET	157083	2
12	CLAMP, 1-5/16 TO 2-1/4 HOSE	162816	2
13	HANDLE, DEPTH STOP (COMP)	163987	1
14	GROMMET 1/2 X 1.0	164207	1
15	ASSY, CABLE, POINTER	165739	1
16	CLEAT, 1/8" CABLE	165740	1
17	ASSY, FUEL TANK	167210	1
18	HOSE, 2.0 ID FUEL FILL (COMP)	167213	1
19	ASSY, CONTROL PANEL, LESS INST	167215	1

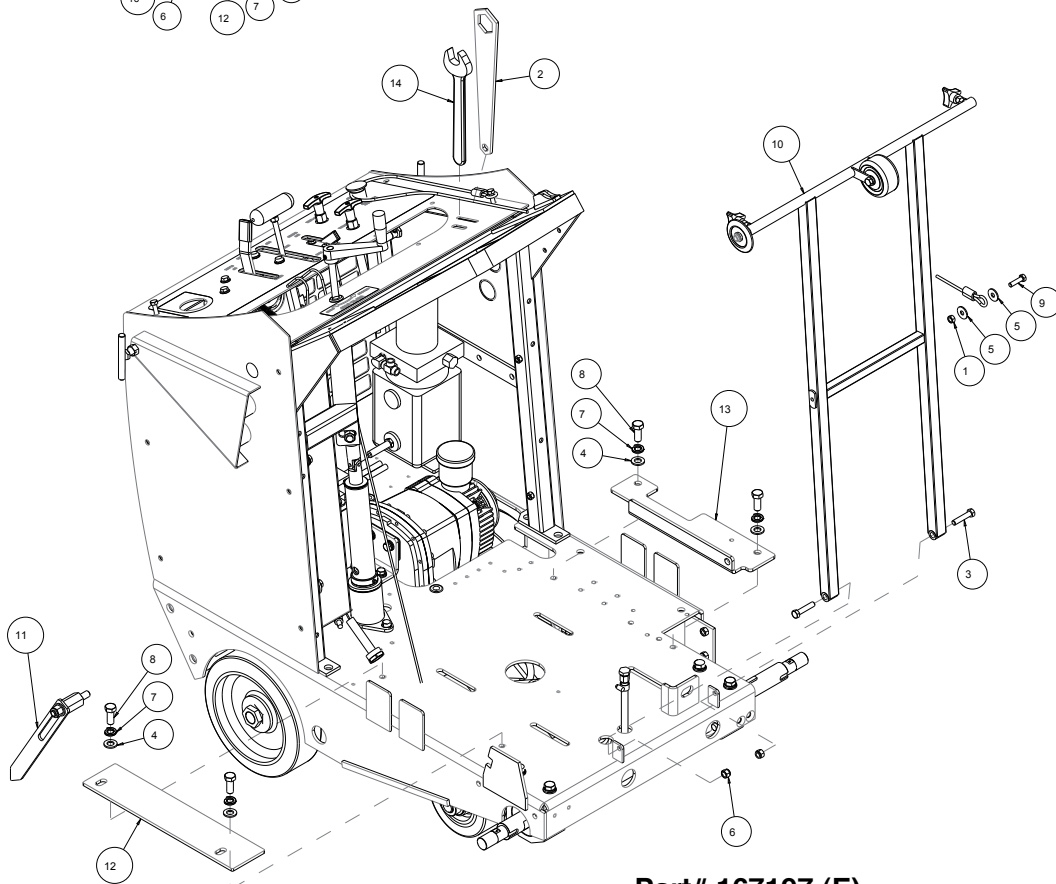
Part# 167197 (C)



MK-4000HY Assembly Sub C Part# 167197			
ITEM	DESCRIPTION	PART #	QTY
1	NUT, HEX, 3.8 - 16	101188	1
2	WASHER 1/2 SAE FLAT	150924	2
3	CLAMP, 5/8 HOSE	151198	2
4	SCREW, 5/16-18 X 1 HEX HEAD MACHINE	151743	2
5	WASHER, LOCK, SPLIT, 5/16	151747	8
6	WASHER, FLAT, SAE, 5/16	151754	6
7	NUT, HEX, 1/4 -20	151893	2
8	WASHER 1/4, SAE FLAT	151915	1
9	SCREW, HEX HD, 1/4 -20 X 3/4	152370	1
10	NUT, 3/8 - 16 NYLOK HEX	152505	1
11	SCREW, HEX HD 1/2 - 13 X 2	153533	1
12	BLACK BATTERY CABLE, 4 GA X 24	153849	1
13	NUT, HEX W/WSHR, 1/4-20	153941	2
14	SCREW, HEX, 5/16-18 X 2-1/4	153951	6
15	HOSE, 1/4 FUEL, 36" LONG	154163	1
16	ELBOW, 1/4NPT STREET	154615	1
17	NUT, 1/2-13 NYLOK HEX	155162	2
18	SCREW, 3.8 - 16 X 1 - 3/4 HEX HD	158398	1
19	NUT, HEX, NYLK, 1/4 - 20	158398	1
20	NIPPLE, 1/4 NPT X CLOSE, BRASS	159905	1
21	HOSE, 1/4 NPT X 9/16 JIC 90 HYD	162600	1
22	SPRING, .44 X 10.3 X .041 EXTENSION	162627	1
23	CABLE, 52" DEPTH INDICATOR	162628	1
24	BATTERY 12 VOLT 40 AMP-HOUR	162642	1
25	BRACKET, BATTERY HOLDDOWN	162647	1
26	CABLE, TRAN CONTROL	162858	1
27	BALL JOINT, 30 SERIES	162859	2
28	NUT, HEX, NYLK, 1/4 - 28	163936	2
29	COVER, 1" BATTERY TERMINAL, RED	163940	1
30	STUD, 1/4-20 X 8	164212	2
31	WASHER, 1/4 RUBBER FENDER	164593	2
32	CABLE, 4GA X 52 RED BATTERY	166050	1
33	FITTING, 3/8 MNPT X 1/4 BARB, BRASS	167239	1
34	PUMP, HYDRAULIC	167271	1
35	FITTING, TEE, 1/4 FNPT, BRASS	167272	1
36	CABLE, 4GA X 29 RED BATTERY	167273	1
37	PANEL, TOWER R/H	167284	1
38	FITTING, 3/8 MNPT X 1/4 FNPT	167506	1
39	PLUG, HOLE PLASTIC 1.0"	167941	1



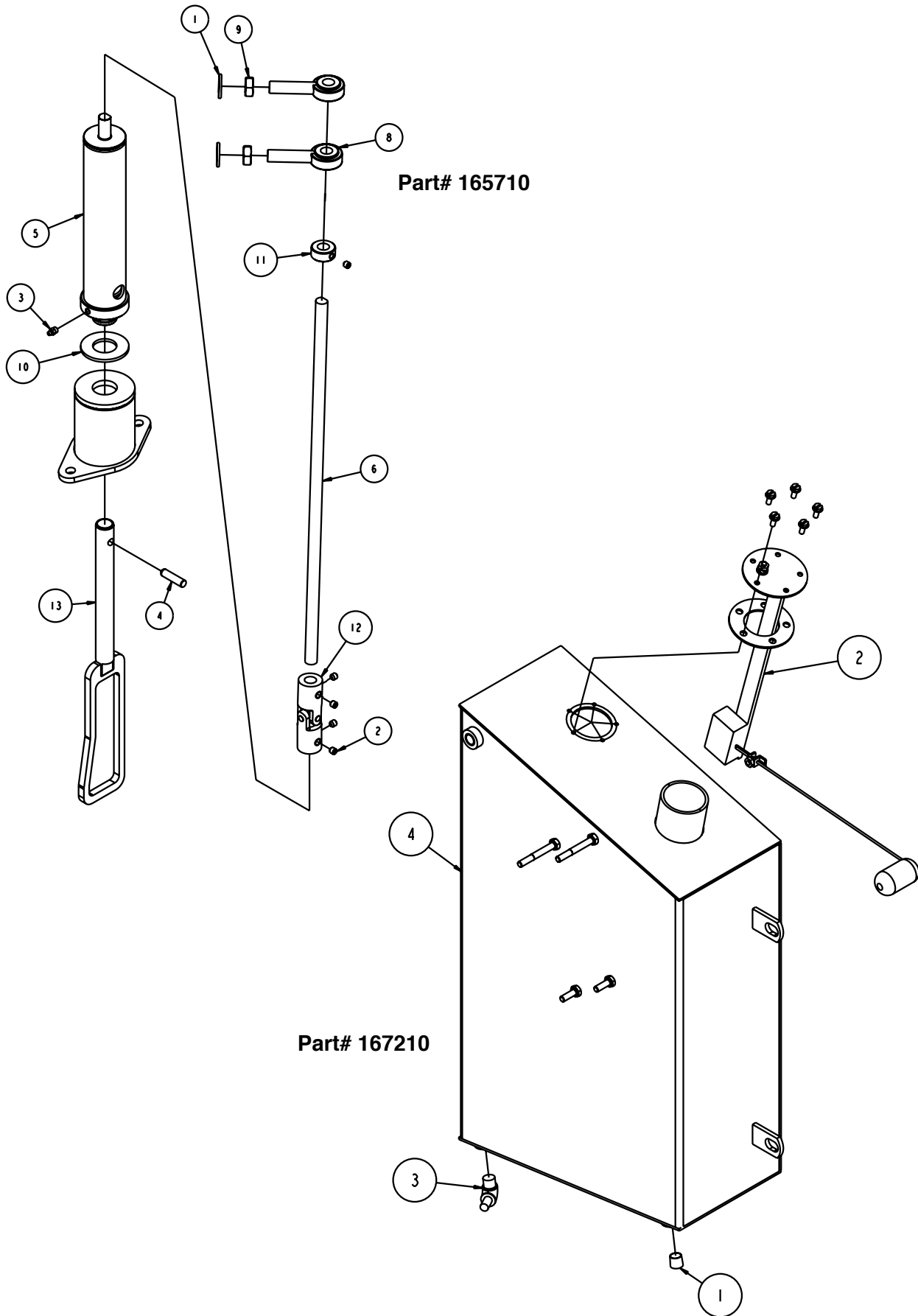
Part# 167197 (D)



Part# 167197 (E)

<b>MK-4000HY Assembly Sub D Part# 167197</b>			
<b>ITEM</b>	<b>DESCRIPTION</b>	<b>PART #</b>	<b>QTY</b>
1	GRIP, HANDLE, 1.0 ID	150842	2
2	ELBOW, 1/2 MNPT 90 STREET, GALV	150844	1
3	HOSE, 3/8 X 5/8 VINYL, 18"	150845	1
4	WASHER, 1/2 SAE FLAT	150924	5
5	CLAMP, 5/8 HOSE	151198	1
6	FITTING, 1/2 MNPT X 3/4 FNH	151322	1
7	WASHER, LOCK, SPLIT, 5/16	151747	8
8	WASHER, 5/16 SAE FLAT	151754	10
9	WASHER, 1/2 SPLIT LOCK	153524	5
10	SCREW, 1/2-13 X 1-1/4 HEX HEAD CAP	153532	5
11	FITTING, 1/2 MNPT X 3/8 BARB	153653	1
12	SCREW, HEX, 5/16-18 X 2-1/4	153951	6
13	PLATE, REAR FRAME	161106	1
14	HANDLEBAR	161158	2
15	KNOB, 1/2-13 T-HANDLE	162635	2
16	FITTING, 1/2 NPT COUPLER	164208	1
17	PANEL, TOWER L/H	167285	1
18	ASSY, BACK PANEL, LATCHING	167505	1

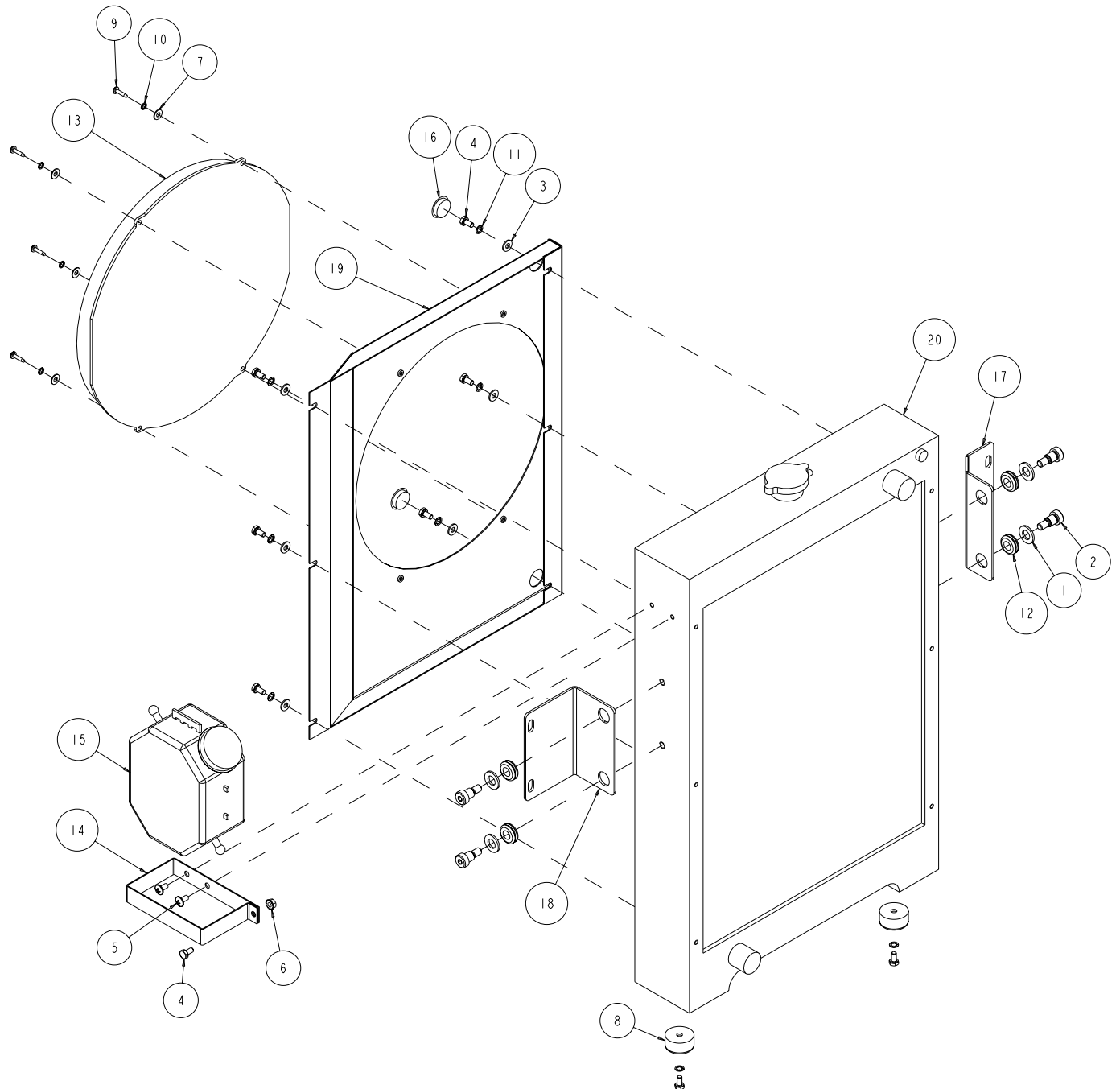
<b>MK-4000HY Assembly Sub E Part# 167197</b>			
<b>ITEM</b>	<b>DESCRIPTION</b>	<b>PART #</b>	<b>QTY</b>
1	NUT, HEX, 5/16-18	101196	1
2	WRENCH, BOX END, 1 - 1/2 X 9/16	137976	1
3	SCREW, 3/8-16 X 1-3/4 HEX HEAD CAP	150920	2
4	WASHER, 1/2 SAE FLAT	150924	4
5	5/16 FENDER WASHER	151053	2
6	NUT, 3/8-16 NYLOK HEX	152505	2
7	WASHER, 1/2 SPLIT LOCK	153524	4
8	SCREW, 1/2-13 X 1-1/4 HEX HEAD CAP	153532	4
9	SCREW, 5/16-18 X 1-1/4 HEX HEAD MACHINE	153950	1
10	ASSY, POINTER, FRONT	160931	1
11	ASSY, REAR POINTER	163824	1
12	BRACKET, ENGINE GUIDE, RIGHT	167242	1
13	BRACKET, ENGINE GUIDE, LEFT	167243	1
14	WRENCH, 1" OPEN END	169382	1





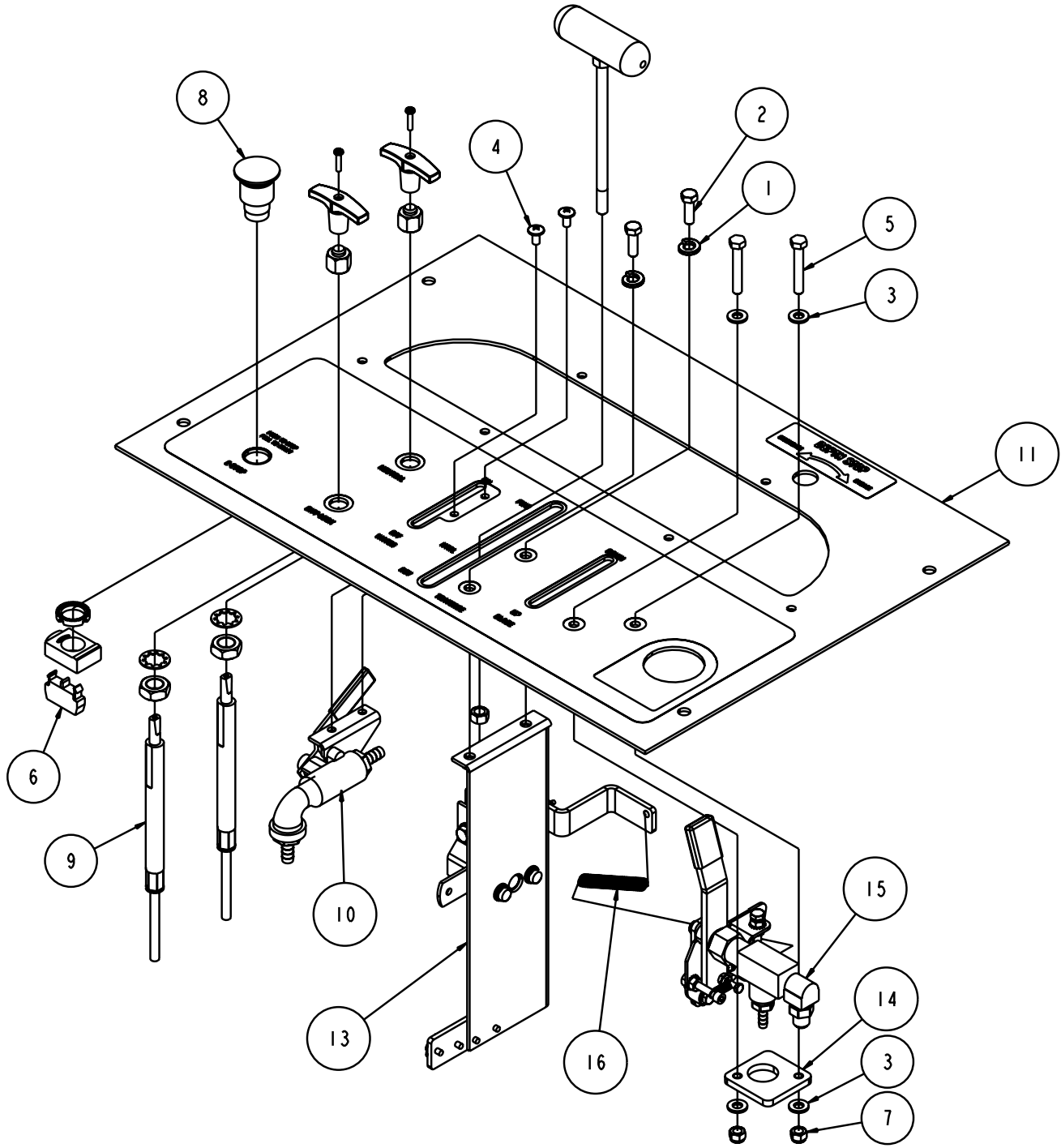
<b>MK-4000HY Assembly Depth Stop Part# 165710</b>			
<b>ITEM</b>	<b>DESCRIPTION</b>	<b>PART #</b>	<b>QTY</b>
1	WASHER, 1/2 SAE FLAT	150924	2
2	SCREW, 5/16 - 18 X 1/2 SOCKET HEAD SET	152607	4
3	FITTING, 1/4-28 GREASE	153852	1
4	PIN, 5/16 X 1-1/4 GROOVE	160458	1
5	TUBE, DEPTH STOP	161138	1
6	ARM, DEPTH STOP LINKAGE	161156	1
7	CUP, DEPTH STOP	162582	1
8	ROD END, 1/2" BALL JOINT	162583	2
9	NUT, 1/2-20 HEX	162586	2
10	BEARING, 1 X 2 X 1/8 BRONZE THRUST	162623	1
11	COLLAR, SHAFT, 1/2	162633	1
12	U-JOINT, 1.0 OD X 0.5 ID (COMP)	163988	1
13	SCREW, DEPTH STOP	165708	1

<b>MK-4000HY Assembly Fuel Tank Part# 167210</b>			
<b>ITEM</b>	<b>DESCRIPTION</b>	<b>PART #</b>	<b>QTY</b>
1	PLUG, 1/4NPT HEX SOCKET	154679	1
2	SENDER, FUEL	162636	1
3	ELBOW, 1/4MNPT X 5/16BARB, BRASS	164278	1
4	TANK, FUEL	167211	1



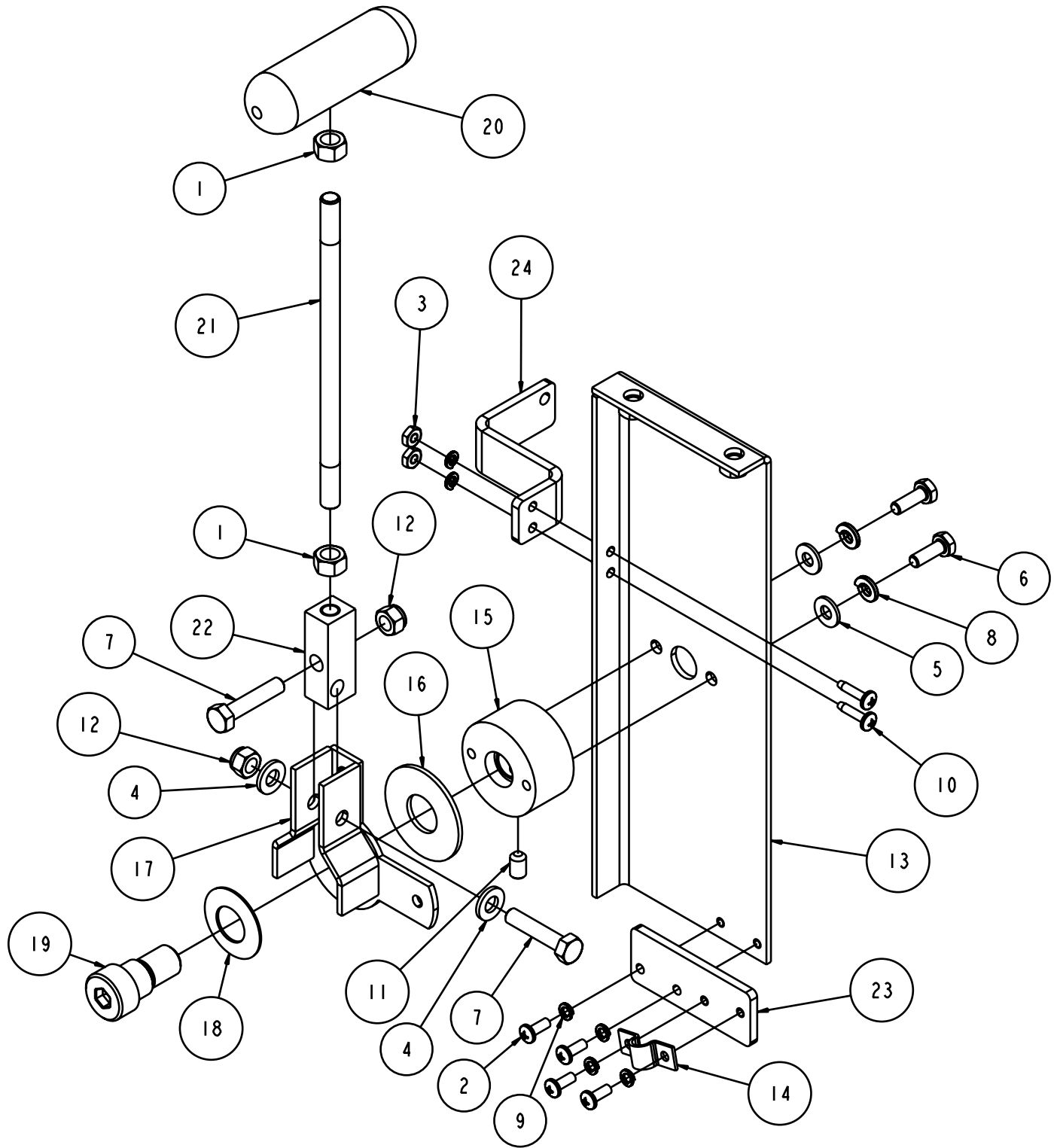
Part# 167946

<b>MK-4000HY Concrete Saw Assembly, Radiator Part# 167946</b>			
<b>ITEM</b>	<b>DESCRIPTION</b>	<b>PART #</b>	<b>QTY</b>
1	WASHER, 1/2 SAE FLAT	150924	4
2	BOLT, SHOULDER 1/2 X 1/2	151753	4
3	WASHER, 1/4 SAE FLAT	151915	6
4	SCREW, 1/4-20 X 1/2 HEX HEAD	152608	9
5	SCREW, 1/4-20 X 1/2 TRUSS HEAD	153880	2
6	NUT, HEX W/WSHR, 1/4-20	153941	1
7	WASHER, #10 SAE FLAT	154369	4
8	BUMPER, 1-1/200 X 1/4 10 X3/4	154496	2
9	SCREW, PAN HD PHIL MS 10-24X3/4	156641	4
10	WASHER #10, INTERNAL TEETH	158336	4
11	WASHER, LOCK, 1/4 INT TOOTH	162490	8
12	GROMMET 1/2 X 1.0	164207	4
13	FAN, ELECTRIC, 12VDC	167204	1
14	BRACKET, RADIATOR BOTTLE	167208	1
15	RESERVOIR, COOLANT	167209	1
16	PLUG, HOLE PLASTIC 1.0"	167941	2
17	BRACKET, RADIATOR LEFT	167942	1
18	BRACKET, RADIATOR RIGHT	167943	1
19	HOUSING, RADIATOR FAN	167944	1
20	RADIATOR, 18.25 X 27.5	167945	1



Part# 167215

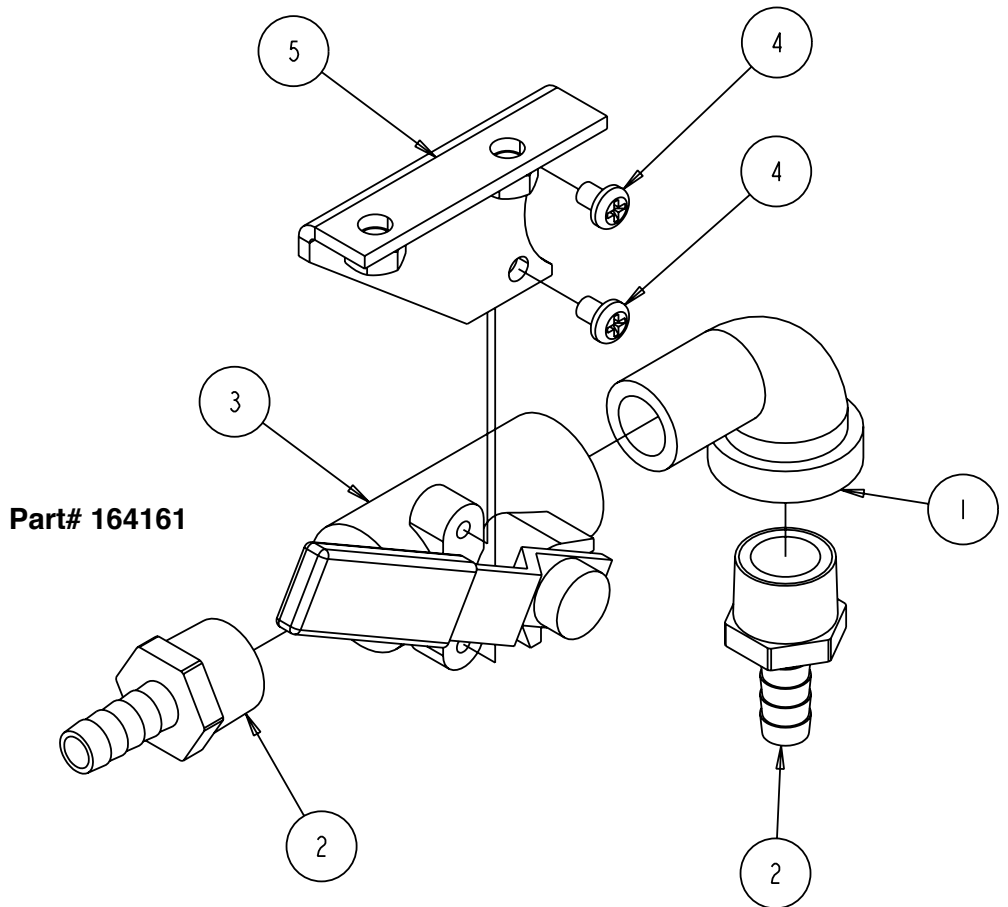
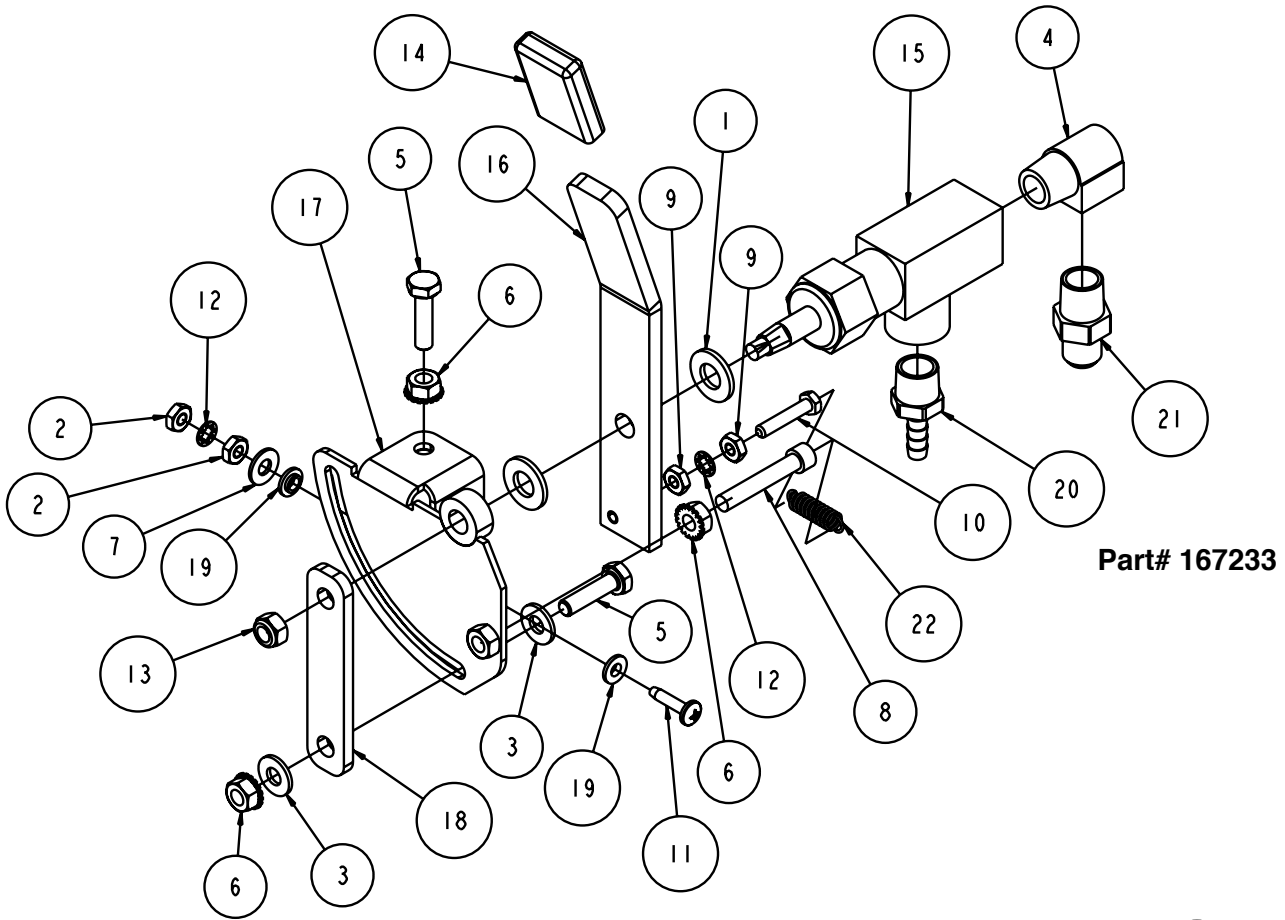
<b>MK-4000HY Concrete Saw Assembly Control Panel Part# 167215</b>			
<b>ITEM</b>	<b>DESCRIPTION</b>	<b>PART #</b>	<b>QTY</b>
1	WASHER, 3/8 SPLIT LOCK	150925	2
2	SCREW, 5/16-18 X 1 HEX HEAD MACHINE	151743	2
3	WASHER, 5/16 SAE FLAT	151744	4
4	SCREW, 1/4-20 X 1/2 TRUSS HEAD	153880	2
5	SCREW, 5/16-18 X 2 HEX HEAD	155494	2
6	CONTACTS, NC	156204	1
7	NUT, 5/16-18 NYLOK HEX	158289	2
8	ASSY, SWITCH BUTTON, GAS	162080	1
9	CABLE, T2L, CONTROL, L-COMP	163935	2
10	ASSY, WATER VALVE	164161	1
11	PANEL, CONTROL	167217	1
12	LABEL, SET, CONTROL PANEL	167218	1
13	ASSY, CONTROLHEAD, FNR	167226	1
14	PLATE, UP/DOWN CONTROL MOUNT	167232	1
15	ASSY, UP/DOWN CONTROL	167233	1
16	SPRING, EXT, 7/160D X .048WD X 3.0L	167270	1



Part# 167226

MK-4000HY Concrete Saw Assembly, Controlhead Part# 167226			
ITEM	DESCRIPTION	PART #	QTY
1	NUT, 3/8-16 HEX	101188	2
2	SCREW, 10-24 X 1/2 PAN HEAD PHILLIPS MACHINE	151744	4
3	NUT, 10-24 HEX	151749	2
4	WASHER, 5/16 SAE FLAT	151754	2
5	WASHER, 1/4 SAE FLAT	151915	2
6	SCREW, 1/4-20 X 3/4 HEX HEAD MACHINE	152370	2
7	SCREW, 5/16-18 X 1-1/2 HEX HEAD MACHINE	152467	2
8	WASHER, 1/4 SPLIT LOCK	152591	2
9	WASHER, #10 SPLIT LOCK	153684	6
10	SCREW, PAN HD PHIL MS 10-24X3/4	156641	2
11	SCREW, 5/16 - 18 X 3/8 SOCKET HEAD SET	157084	1
12	NUT, 5/16-18 NYLOK HEX	158289	2
13	BRACKET, FNR CONTROL	162634	1
14	CLAMP, 30 SERIES CONDUIT	162860	1
15	JOURNAL, FNR CONTROL	162889	1
16	WASHER, 2.0 X .812 X .088 NYLON	162890	1
17	BRACKET, FNR PIVOT	162891	1
18	SPRING, 1.50 X .755 X .045, DISK	162892	1
19	SCREW, 3/4 X 1/2 SOCKET HEAD SHOULDER	162893	1
20	HANDLE, FNR GRIP	167227	1
21	BAR, FNR HANDLE	167228	1
22	BLOCK, FNR HANDLE	167229	1
23	PLATE, FNR CABLE	167230	1
24	BRACKET, FNR SPRING	167231	1

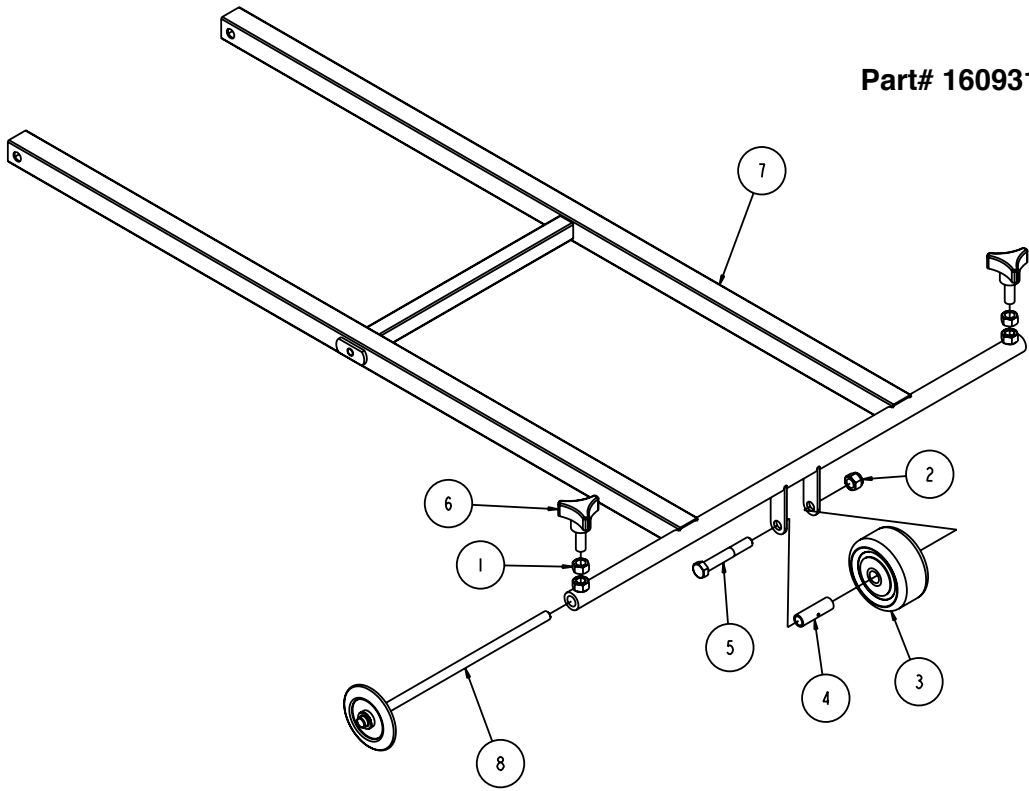




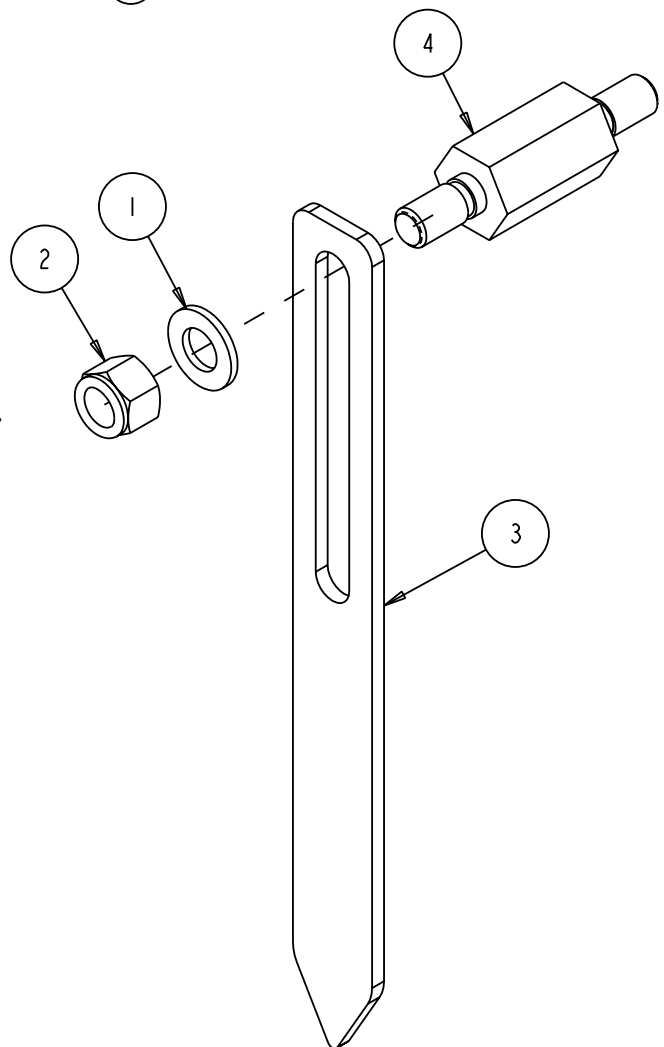
<b>MK-4000HY Assembly Up/Down Control Part# 167233</b>			
<b>ITEM</b>	<b>DESCRIPTION</b>	<b>PART #</b>	<b>QTY</b>
1	WASHER, 3/8 SAE FLAT	150923	2
2	NUT, 10-24 HEX	151749	2
3	WASHER, 1/4 SAE FLAT	151915	2
4	ELBOW, 3/8 NPT STREET	152074	1
5	SCREW, HEX HD CAP, 1/4-20 X 1	152676	2
6	NUT, HEX W/WSHR, 1/4-20	153941	3
7	WASHER, #10 SAE FLAT	154369	1
8	SCREW , SOC HD CAP, 1/4- 20 X I	154683	1
9	NUT, HEX 10-32	156269	2
10	SCREW, 10-32 X 1 HEX HEAD CAP	156270	1
11	SCREW, PAN HD PHIL MS 10-24X3/4	156641	1
12	WASHER #10, INTERNAL TEETH	158336	2
13	NUT, HEX, NYLK, 1/4-28	163936	1
14	CAP, PUSH-ON, VINYL, I X 1/4	167216	1
15	VALVE, 3/8 ANGLE NEEDLE	167234	1
16	HANDLE, UP/DOWN CONTROL	167235	1
17	PLATE, UP/DOWN ADJ	167236	1
18	ARM, DEPTH CONTROL ADJ	167237	1
19	WASHER, 5/16 FLANGED PLASTIC	167238	2
20	FITTING, 3/8 MNPT X 1/4 BARB, BRASS	167239	1
21	FITTING, 3/8 NPT X 3/8 JIC	167240	1
22	SPRING, EXT, .300D X .037WD X 3/4L	167241	1

<b>MK-4000HY Water Valve Part# 164161</b>			
<b>ITEM</b>	<b>DESCRIPTION</b>	<b>PART #</b>	<b>QTY</b>
1	ELBOW, 1/2 MNPT 90 STREET, GALV	150844	1
2	FITTING, 1/2 MNPT X 3/8 BARB	153653	2
3	VALVE, BALL 1/2"	153796	1
4	SCREW, PAN HD PHIL 10-24 X 5/16	159494	2
5	BRACKET, WATER VALVE	162650	1

Part# 160931



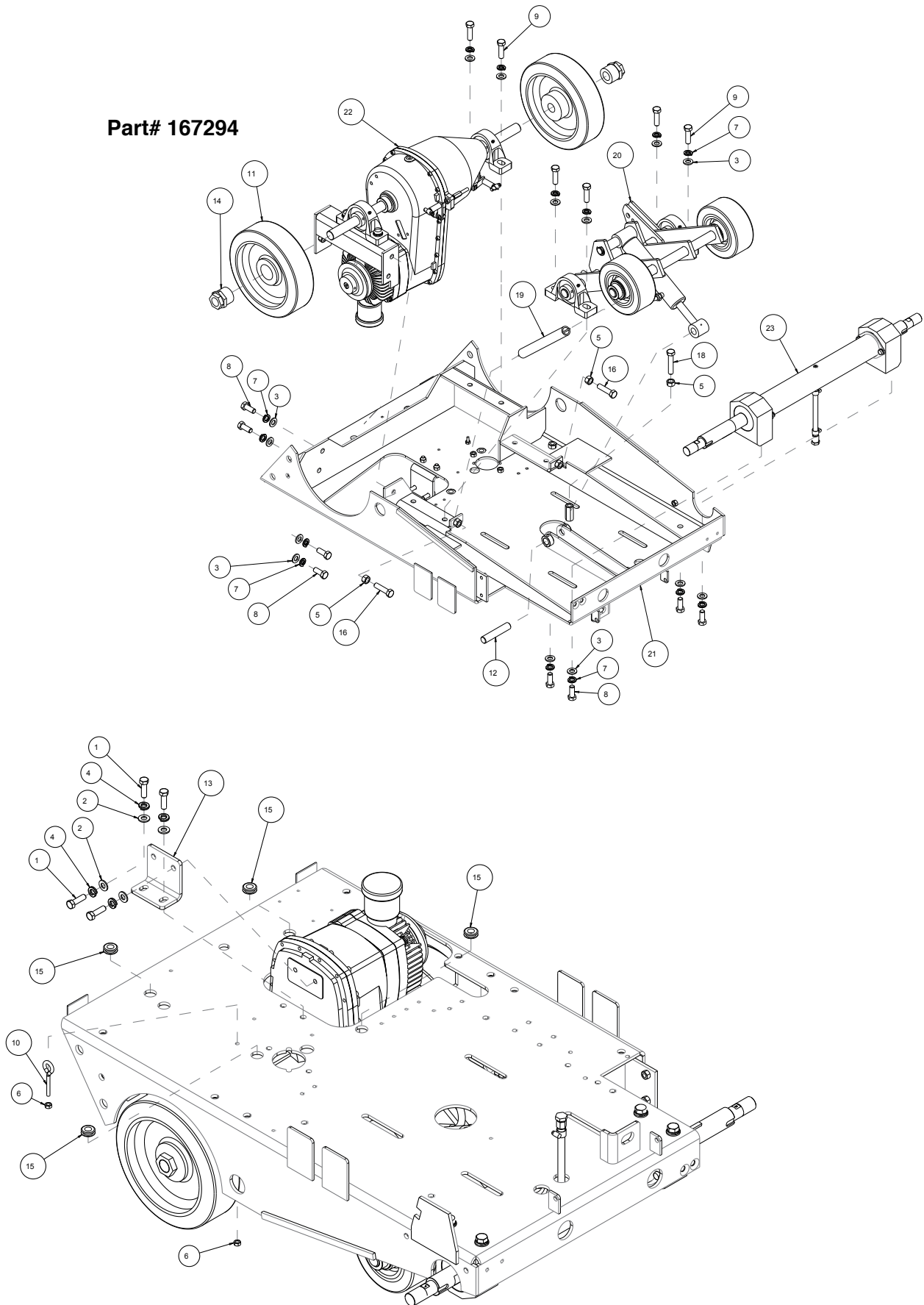
Part# 163824



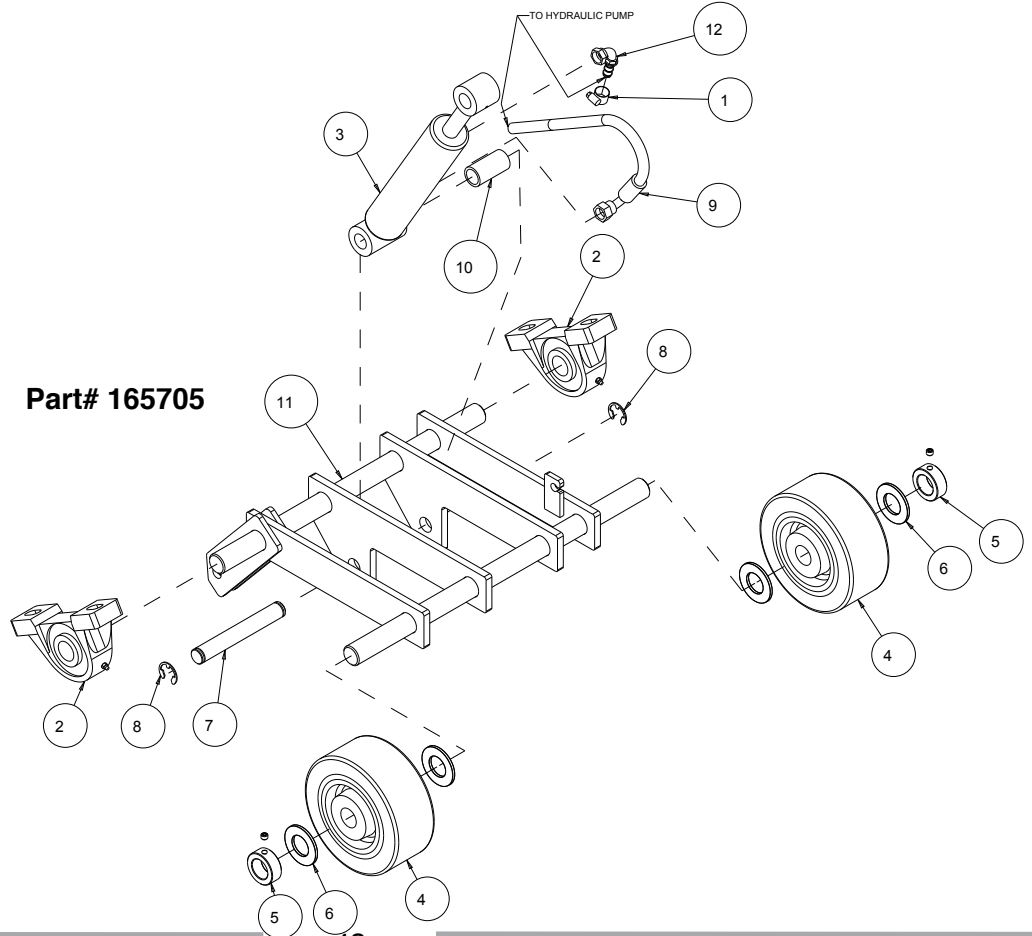
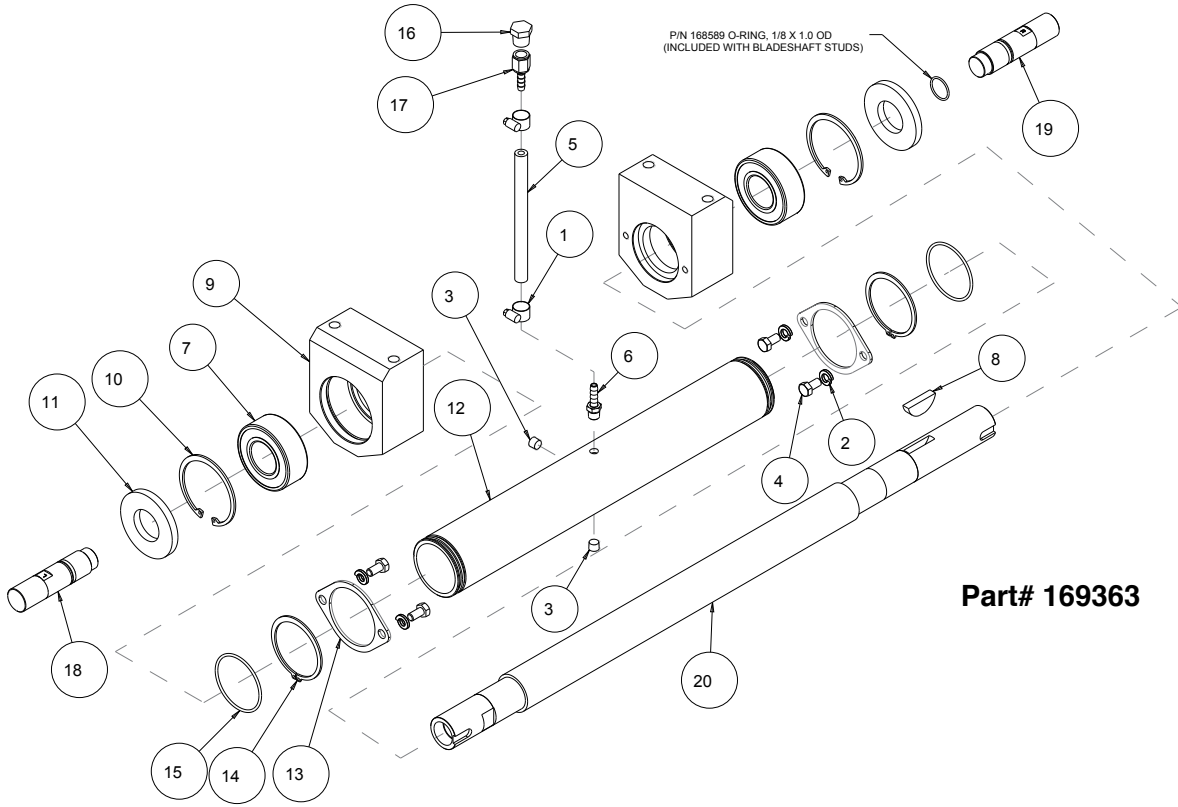
<b>MK-4000HY Front Pointer Part# 160931</b>			
<b>ITEM</b>	<b>DESCRIPTION</b>	<b>PART #</b>	<b>QTY</b>
1	NUT, 3/8-16 HEX	101188	2
2	NUT, 3/8-16 NYLOK HEX	152505	1
3	WHEEL, POINTER, 3"	155066	1
4	BUSHING, 3/8 ID X 1-5/8L	155153	1
5	SCREW, 3/8-16 X 2-1/2 HEX HEAD CAP	156030	1
6	KNOB, 3 PRONG 3/8-16 X 1	156175	2
7	POINTER ARM, FRONT	160938	1
8	ASSY, POINTER WHEEL	165238	1

<b>MK-4000HY Rear Pointer Part# 163824</b>			
<b>ITEM</b>	<b>DESCRIPTION</b>	<b>PART #</b>	<b>QTY</b>
1	WASHER, 1/2 SAE FLAT	150924	1
2	NUT, 1/2-13 NYLOK HEX	155162	1
3	ARM, REAR POINTER	160951	1
4	STANDOFF, REAR POINTER	163825	1

Part# 167294



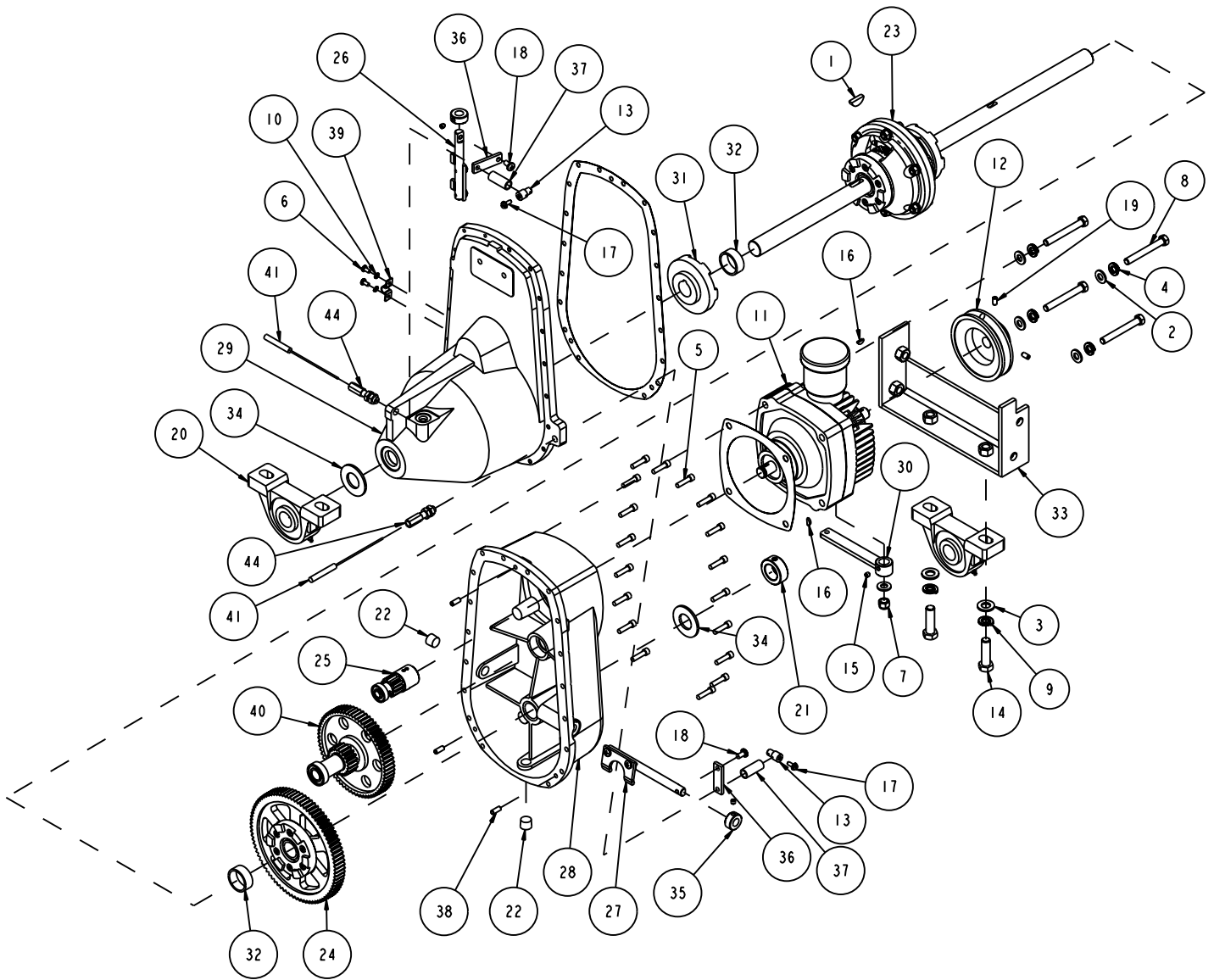
MK-4000HY Concrete Saw Assembly, Frame Sub, Part# 167294			
ITEM	DESCRIPTION	PART #	QTY
1	SCREW, 3/8-16 X 1-1/4 HEX HEAD CAP	150774	4
2	WASHER, 3/8 SAE FLAT	150923	4
3	WASHER, 1/2 SAE FLAT	150924	14
4	WASHER, 3/8 SPLIT LOCK	150925	4
5	NUT, 1/2-13 HEX	151282	3
6	NUT, 1/4-20 HEX	151893	2
7	WASHER, 1/2 SPLIT LOCK	153524	14
8	SCREW, 1/2-13 X 1-1/4 HEX HEAD CAP	153532	8
9	SCREW, 1/2-13 X 1-3/4 HEX HEAD CAP	153853	6
10	EYEBOLT, 1/4-20 X 2	153887	1
11	WHEEL, 10 X 3 REAR	160960	2
12	PIN, $\phi$ 3/4 X 3-1/2 CLEVIS	161164	1
13	BRACKET, TRANSMISSION	161244	2
14	BUSHING 1" KEYLESS HUB	161244	2
15	GROMMET, 1/2 X 1.0	162493	4
16	BOLT, 1/2-13 X 2.0 HEX HEAD TAP	162598	2
17	GREASE, MOBIL XHP222, 2 OZ	162604	1
18	BOLT, 1/2- 13 X 2- 1/2 HEX HEAD TAP	162605	1
19	SPRING, 1.0 X 7.0 X .135 EXTENTION	162830	1
20	ASSY, TRUCK, FRT PIVOT	165705	1
21	FRAME, WELDMENT MAIN	165706	1
22	ASSY, TRANSMISSION	167198	1
23	ASSY, BLADE SHIFT, KEYED, 35MM	169363	1





<b>MK-4000HY Blade Shaft Part# 169363</b>			
<b>ITEM</b>	<b>DESCRIPTION</b>	<b>PART #</b>	<b>QTY</b>
1	CLAMP, 5/8 HOSE	151198	2
2	WASHER, 5/16 SPLIT LOCK	151747	4
3	PLUG, 1/8NPT HEX SOCKET	152472	3
4	SCREW, 5/16-18 X 5/8 HEX HEAD CAP	153949	4
5	HOSE, 1/4 FUEL	154163	1
6	FITTING, 1/8 MNPT X 1/4 BARB	155809	1
7	BEARING, 35X72X27, D-ROW BALL	160810	2
8	KEY, WOODRUFF, 5/16 X 1-1/2	160816	1
9	BLOCK, 72mm BEARING	161199	2
10	RING , 72mm INTERNAL RETAINING	161201	2
11	SEAL, 1-3/8 X 72mm OIL	161202	2
12	TUBE, BLADE SHAFT	161203	1
13	FLANGE, BLADESHAFT TUBE	161205	2
14	RING, RETAINING, 2-1/2 EXTERNAL	161206	2
15	O-RING, 3/32 X 2-1/20D	161207	2
16	PLUG, 3/8NPT BRONZE BREATHER	161209	1
17	FITTING, 1/4 FNPT X 1/4 BARB	162601	1
18	STUD, BLADESHAFT, LH. W/ORING	168587	1
19	STUD, BLADESHAFT, RH, W/ORING	168588	1
20	SHAFT, BLADE, KEYED, 35MM	169364	1

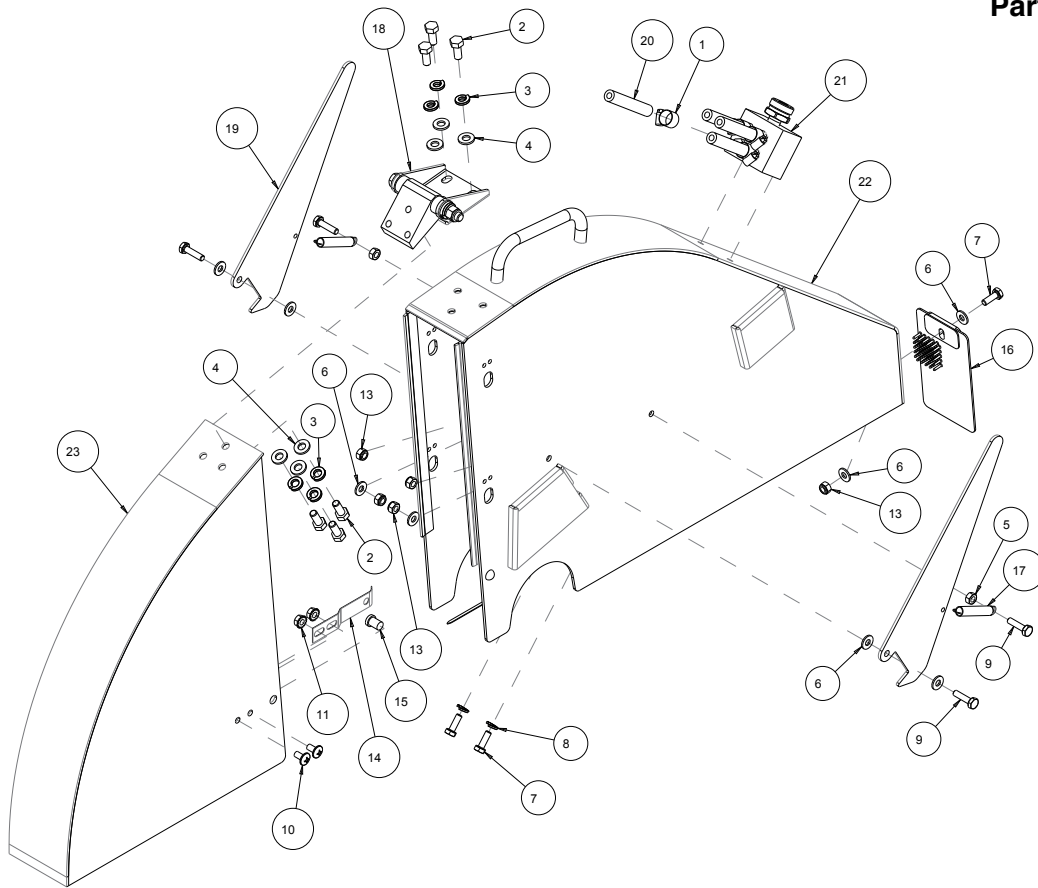
<b>MK-4000HY Assembly Truck, Front Pivot Part# 165705</b>			
<b>ITEM</b>	<b>DESCRIPTION</b>	<b>PART #</b>	<b>QTY</b>
1	CLAMP, HOSE, 5/8	151198	1
2	BEARING, 1.0 ID PILLOW BLOCK	157924	2
3	CYLINDER, 4" HYDRAULIC	160846	1
4	WHEEL, 6 X 2-1/2 X I	160848	2
5	COLLAR, 1.0 SHAFT	160849	2
6	WASHER, 1 SAE FLAT	160851	4
7	PIN, Ø3/4 X 5 CLEVIS	160961	1
8	RING, .75 E-STYLE RETAINING	161163	2
9	HOSE, 1/4NPT X 9/16JIC90 HYD	162600	1
10	SPACER, 1.0 X .75 X 1.94	164046	1
11	TRUCK, FRONT PIVOT	165704	1
12	ELBOW, 3/8 FJIC X 3.8 BARB	170388	1



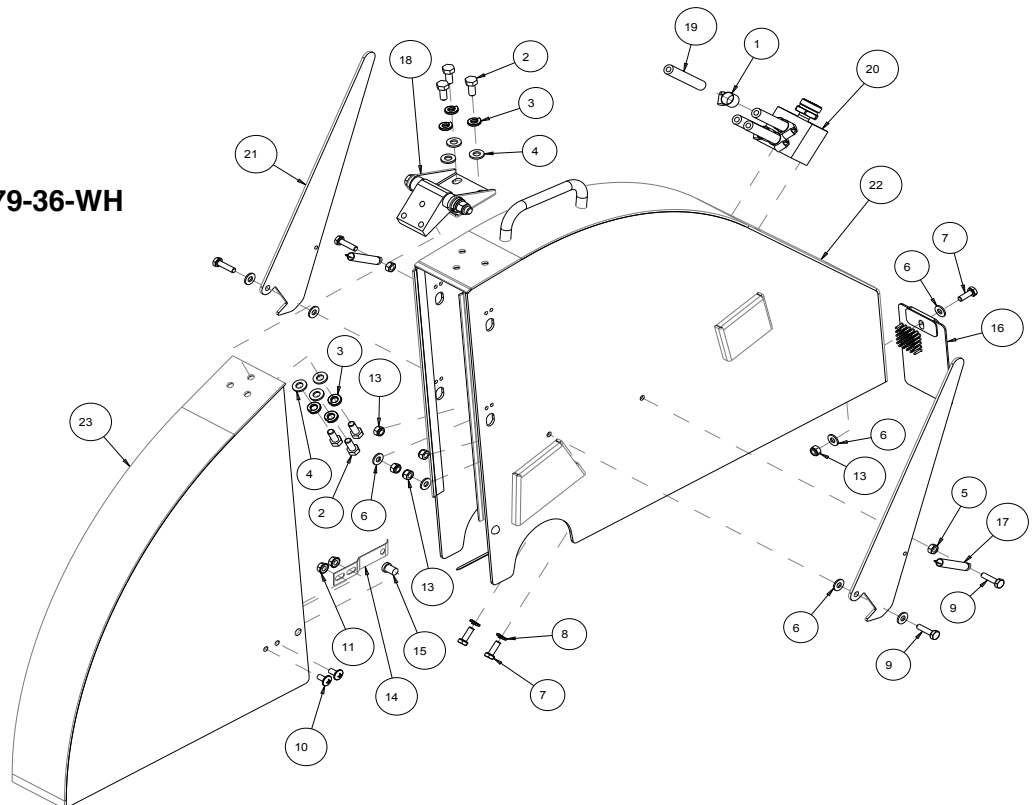
Part# 167198

MK-4000HY Concrete Saw Assembly, Transmission Part# 167198			
ITEM	DESCRIPTION	PART #	QTY
1	KEY, 1/4 X 1 WOODRUFF	150795	1
2	WASHER, 3/8 SAE FLAT	150923	5
3	WASHER, 1/2 SAE FLAT	150924	2
4	WASHER, 3/8 SPLIT LOCK	150925	4
5	SCREW, SOC HD CAP, 1/4-20 X 1	151049	18
6	SCREW, 10-24 X 3/8 PAN HEAD PHILLIPS	151097	2
7	NUT, 3/8-16 NYLOK HEX	152505	1
8	SCREW, 3/8-16 X 3 HEX HEAD CAP	153113	4
9	WASHER, 1/2 SPLIT LOCK	153524	2
10	WASHER, #10 SPLIT LOCK	153684	2
11	PUMP, TRANSMISSION	153783	1
12	PULLEY, A4.0 X 17mm BORE OFFSET	153826	1
13	PIN, WIRE STOP	153842	2
14	SCREW, 1/2-13 X 1-3/4 HEX HEAD CAP	153853	2
15	SCREW, SET CNE PT 1/4 -20 X 1/4	153864	1
16	KEY, WOODRUFF, 1/8 X 1/2	153865	2
17	SCREW, HEX HD FL 10-24X 5/16	154172	2
18	SCREW, 1/4-20 X 1/2 PAN HEAD PHILLIPS	155452	2
19	SCREW, 1/4-20 X 1/2 SOCKET HEAD SET	155804	2
20	BEARING, 1.0 ID PILLOW BLOCK	157924	2
21	COLLAR, 1.0 SHAFT	160849	1
22	PLUG, 3/8 NPT HEX SOCKET, GALV	161208	2
23	ASSY, DIFFERENTIAL	161232	1
24	ASSY, ENGAGEMENT GEAR	161233	1
25	ASSY, PUMP PINION	161235	1
26	ASSY, TRANS FORK 2	161236	1
27	ASSY, TRANS FORK I	161237	1
28	ASSY, TRANS CASE I	161248	1
29	ASSY, TRANS CASE 2	161250	1
30	LEVER, TRANS CONTROL	161263	1
31	PLATE, LOCKER, KEYED	161264	1
32	SPRING, I .50D X 1.3 COMPRESSION	161279	2
33	BRIDGE, TRANS BEARING	161311	1
34	BEARING, I X 2 X 1/8 BRONZE THRUST	162623	2
35	COLLAR, 1/2 SHAFT	162633	2
36	LEVER, TRANS FORK	162673	2
37	SPRING, .56 OD X 1.38 COMPRESSION	162829	2
38	PIN, 1/4 X 5/8 DOWEL	162849	3
39	CLAMP, 30 SERIES CONDUIT	162860	1
40	ASSY, CHANGE GEAR	162883	1
41	CABLE, T2L CONTROL, L (COMP)	163935	2
42	OIL, 80-90 SAE GEAR	164971	1
43	SEALANT, HI-TEMP FORM-A-GASKET	164972	1
44	FITTING, THROTTLE CABLE END	169042	2
45	GASKET SET, TRANSMISSION	169465	1
46	SEALANT, GASKET, PT#2 (0.5 OZ)	169466	1

Part# 168279-30-WH



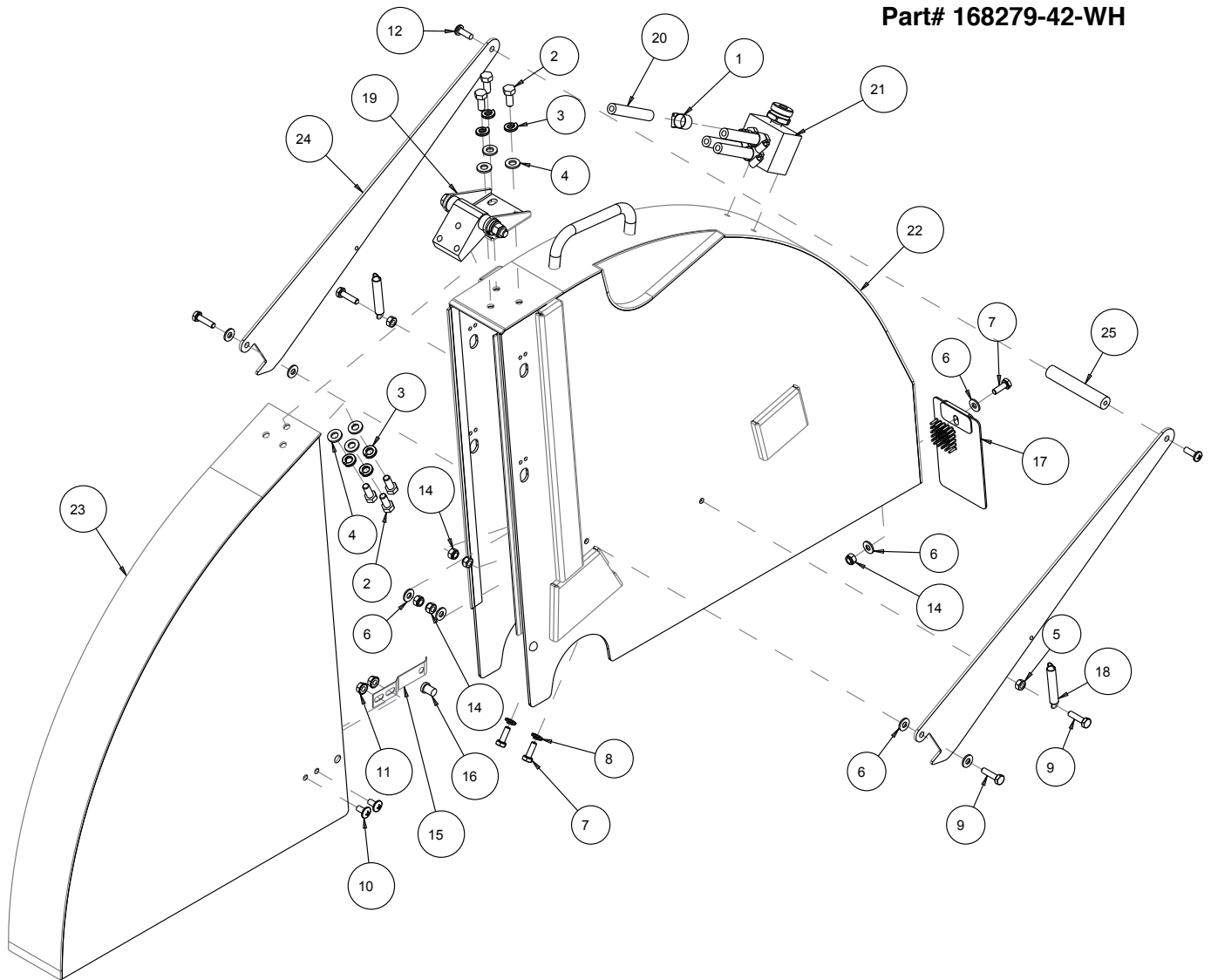
Part# 168279-36-WH



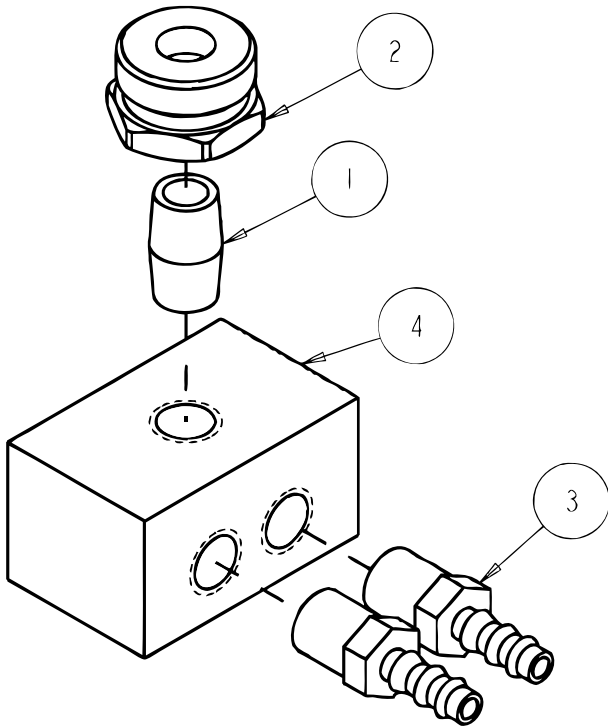
<b>MK-4000HY Assembly 30" Blade Guard Part# 168279-30-WH</b>			
<b>ITEM</b>	<b>DESCRIPTION</b>	<b>PART #</b>	<b>QTY</b>
1	CLAMP, 5/8 HOSE	151198	2
2	SCREW, 5/16-18 X 3/4 HEX HEAD MACHINE	151369	6
3	WASHER, LOCK, SPLIT, 5/16	151747	6
4	WASHER, 5/16 SAE FLAT	151754	6
5	NUT, 1/4-20 HEX	151893	2
6	WASHER, 1/4 SAE FLAT	151915	8
7	SCREW, 1/4-20 X 3/4 HEX HEAD MACHINE	152370	3
8	WASHER, 1/4 SPLIT LOCK	152591	2
9	SCREW, HEX HD CAP, 1/4-20 X 1	152676	4
10	SCREW, 1/4-20 X 1/2 TRUSS HEAD	153880	2
11	NUT, HEX W/WSHR, 1/4-20	153941	2
12	TIE, NYLON CABLE, 1/8 X 4, BLACK	158528	2
13	NUT, 1/4-20 NYLON	159857	5
14	LOCK, BLADE GUARD	159998	1
15	BUTTON, RELEASE	159999	1
16	GUARD, SPLASH, NO LOGO	160310-NL	1
17	SPRING, EXTENSION	160875	2
18	ASSY, HINGE	163979	1
19	LATCH, 30" BLADE GUARD	168528	2
20	HOSE, VINYL, 1/4 X 1/2 (24"L)	167620	2
21	ASSY, WATER MANIFOLD, 2T	167624	1
22	GUARD, 30" FRONT BLADE	168277-30-WH	1
23	GUARD, 30" REAR BLADE	168278-30-WH	1

<b>MK-4000HY Assembly 36" Blade Guard Part# 168279-36-WH</b>			
<b>ITEM</b>	<b>DESCRIPTION</b>	<b>PART #</b>	<b>QTY</b>
1	CLAMP, 5/8 HOSE	151198	2
2	SCREW, 5/16-18 X 3/4 HEX HEAD MACHINE	151369	6
3	WASHER, LOCK, SPLIT, 5/16	151747	6
4	WASHER, 5/16 SAE FLAT	151754	6
5	NUT, 1/4-20 HEX	151893	2
6	WASHER, 1/4 SAE FLAT	151915	8
7	SCREW, 1/4-20 X 3/4 HEX HEAD MACHINE	152370	3
8	WASHER, 1/4 SPLIT LOCK	152591	2
9	SCREW, HEX HD CAP, 1/4-20 X 1	152676	4
10	SCREW, 1/4-20 X 1/2 TRUSS HEAD	153880	2
11	NUT, HEX W/WSHR, 1/4-20	153941	2
12	TIE, NYLON CABLE, 1/8 X 4, BLACK	158528	2
13	NUT, 1/4-20 NYLON	159857	5
14	LOCK, BLADE GUARD	159998	1
15	BUTTON, RELEASE	159999	1
16	GUARD, SPLASH, NO LOGO	160310-NL	1
17	SPRING, EXTENSION	160875	2
18	ASSY, HINGE	163979	1
19	HOSE, VINYL, 1/4 X 1/2 (24"L)	167620	2
20	ASSY, WATER MANIFOLD, 2T	167624	1
21	LATCH, 36" BLADE GUARD	168528	2
22	GUARD, 36" FRONT BLADE	168277-36-WH	1
23	GUARD, 36" REAR BLADE	168278-36-WH	1

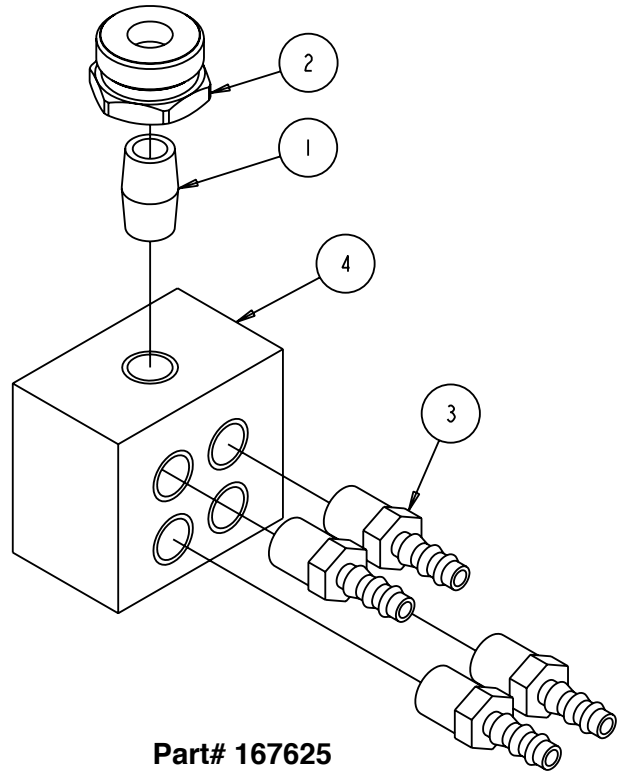
Part# 168279-42-WH



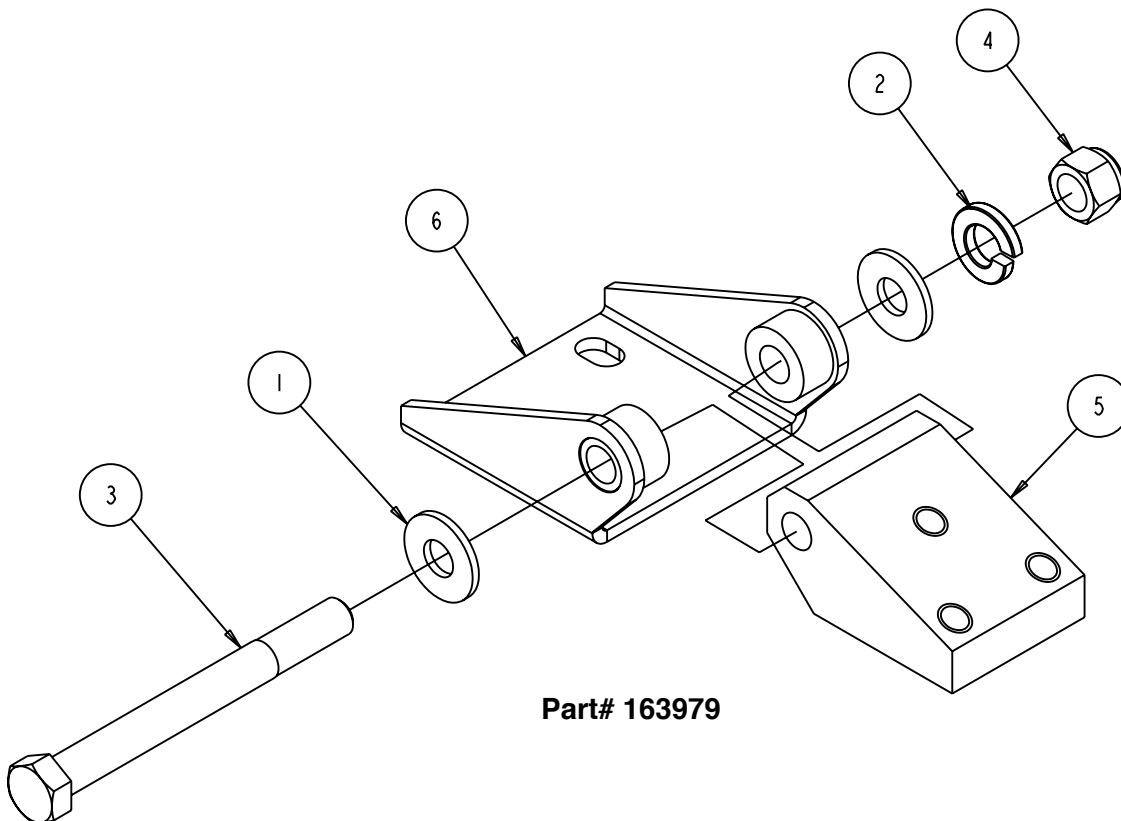
<b>MK-4000HY Assembly 42" Blade Guard Part# 168279-42-WH</b>			
<b>ITEM</b>	<b>DESCRIPTION</b>	<b>PART #</b>	<b>QTY</b>
1	CLAMP, 5/8 HOSE	151198	2
2	SCREW, 5/16-18 X 3/4 HEX HEAD MACHINE	151369	6
3	WASHER, LOCK, SPLIT, 5/16	151747	6
4	WASHER, 5/16 SAE FLAT	151754	6
5	NUT, 1/4-20 HEX	151893	2
6	WASHER, 1/4 SAE FLAT	151915	8
7	SCREW, 1/4-20 X 3/4 HEX HEAD MACHINE	152370	3
8	WASHER, 1/4 SPLIT LOCK	152591	2
9	SCREW, HEX HD CAP, 1/4-20 X 1	152676	4
10	SCREW, 1/4-20 X 1/2 TRUSS HEAD	153880	2
11	NUT, HEX W/WSHR, 1/4-20	153941	2
12	SCRERW, PAN HD, 1/4 -20 X 3/4	157523	2
13	TIE, NYLON CABLE, 1/8 X 4, BLACK	158528	2
14	NUT, 1/4-20 NYLOK	159857	5
15	LOCK, BLADE GUARD	159998	1
16	BUTTON, RELEASE	159999	1
17	GUARD, SPLASH, NO LOGO	160310-NL	1
18	SPRING, EXTENSION	160875	2
19	ASSY, HINGE	163979	1
20	HOSE, VINYL, 1/4 X 1/2 (24"L)	167620	2
21	ASSY, WATER MANIFOLD, 2T	167624	1
22	GUARD, 42" FRONT BLADE	168277-42-WH	1
23	GUARD, 42" REAR BLADE	168278-42-WH	1
24	LATCH, 42" BLADE GUARD	168528	2
25	BAR, LATCH, 42" BLD GRD	170291	1



Part# 167624



Part# 167625



Part# 163979



<b>MK-4000HY Assembly Water Manifold, 2T Part# 167624</b>			
<b>ITEM</b>	<b>DESCRIPTION</b>	<b>PART #</b>	<b>QTY</b>
1	NIPPLE, 1/4 NPT X CLOSE,BRASS	159905	1
2	FITTING, 3/4X1 1.5 MNH X 1/4 FNPT	163992	1
3	FITTING, PUSH ON HOSE 1/4 X 1/4 MALE	165183	2
4	MANIFOLD, WATER, 2 TUBE	167622	1

<b>MK-4000HY Assembly Water Manifold, 4T Part# 167625</b>			
<b>ITEM</b>	<b>DESCRIPTION</b>	<b>PART #</b>	<b>QTY</b>
1	NIPPLE, 1/4 NPT X CLOSE,BRASS	159905	1
2	FITTING, 3/4X1 1.5 MNH X 1/4 FNPT	163992	1
3	FITTING, PUSH ON HOSE 1/4 X 1/4 MALE	165183	4
4	MANIFOLD, WATER, 4 TUBE	167623	1

<b>MK-4000HY Assembly Hinge Part# 163979</b>			
<b>ITEM</b>	<b>DESCRIPTION</b>	<b>PART #</b>	<b>QTY</b>
1	WASHER, 3/8 SAE FLAT	150923	2
2	WASHER, 3/8 SPLIT LOCK	150925	1
3	SCREW, 3/8-16 X 3 3/4 HEX HD CAP	152504	1
4	NUT, 3/8- 16 NYLOK HEX	152505	1
5	PLATE, FRONT HINGE	163977	1
6	PLATE, REAR HINGE	163978	1